

# TITAN REFINERY WRENCH



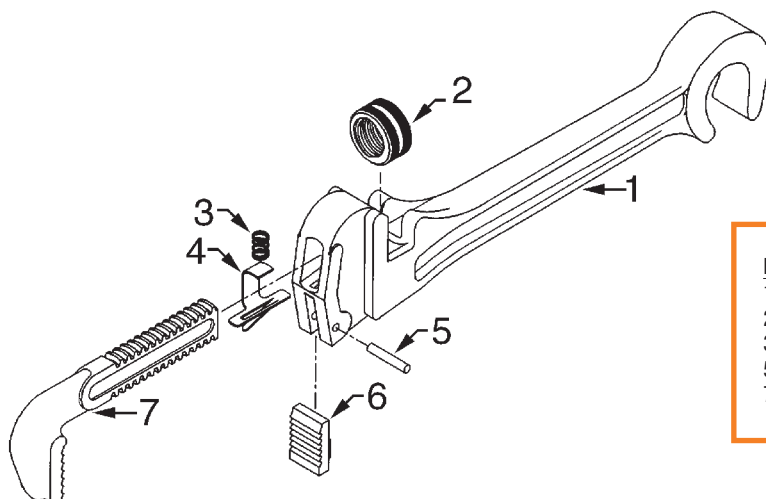
The TITAN REFINERY WRENCH is a combination pipe wrench/valve wheel wrench designed for multiple uses in the refining, petrochemical, and gas processing industries.

CATALOG NO.	PIPE CAPACITY	WHEEL WRENCH OPENING	LENGTH (CLOSED)	WEIGHT
<b>STEEL</b>				
RW1	1/8" – 1"	3/4"	10"	1-1/2 lbs.
RW2	1/8" – 1-1/2"	1/2"	10"	1-3/4 lbs.
RW1SG	1/8" – 1"	3/4"	10"	1-5/8 lbs.
RW2SG	1/8" – 1-1/2"	1/2"	10"	2-1/4 lbs.
<b>ALUMINUM (FOR LIGHT-DUTY APPLICATIONS ONLY)</b>				
RW1AL	1/8" – 1"	3/4"	10"	3/4 lb.
RW2AL	1/8" – 1-1/2"	1/2"	10"	1 lb.

**WARNING! Protect yourself and others from SERIOUS INJURY!**  
**Never use a "cheater" or other means to extend handle!**  
**If wrench slips you can be hurt or injure other workers!**

NOTE: SAFE PRACTICES & PROCEDURES CAN BE FOUND ON PAGE 8 OF THIS CATALOG.

The "surgrip" type refinery wrench has a special shaped opening which reduces the chance of slipping when working in overhead or crowded positions.



KEY NO.	ITEM DESCRIPTION	NO. REQ'D.
1	HANDLE	1
2	ADJUSTING NUT	1
3,4	SPRING SET	1
5,6	TOOTH INSERT AND PIN	1
7	HOOK JAW	1