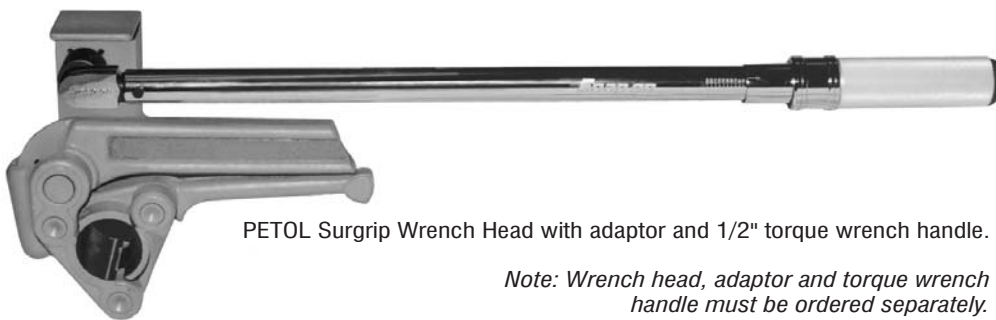
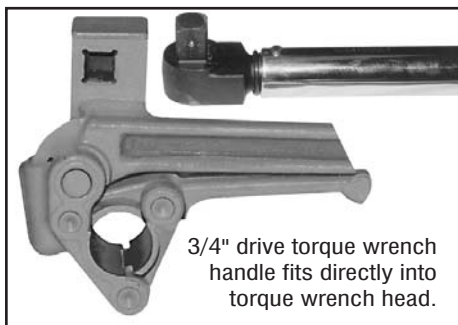


# PETOL SURGRIP TORQUE WRENCH



PETOL Surgrip Wrench Head with adaptor and 1/2" torque wrench handle.

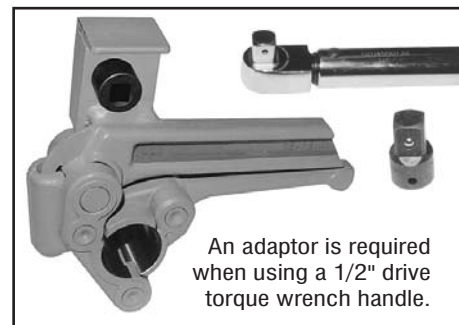
*Note: Wrench head, adaptor and torque wrench handle must be ordered separately.*



3/4" drive torque wrench handle fits directly into torque wrench head.

PETOL SURGRIP TORQUE WRENCHES offer exact measurement in ft.-lbs. of torque when making up pump parts. Each wrench is bored to grip a specific O.D. by friction alone and will not mar the surface of the parts.

These wrenches offer the features of the PETOL Surgrip Friction Tong and can be used with any 1/2" or 3/4" drive "click-type" torque wrench handle.



An adaptor is required when using a 1/2" drive torque wrench handle.

CATALOG NO.	ITEM DESCRIPTION	LENGTH	WEIGHT	MAXIMUM WORKING LOAD
ZT250M	Torque Wrench Handle	23-3/16"	3-1/2 lbs.	250 ft.-lbs.
ZT600M	Torque Wrench Handle	40-3/4"	11-1/2 lbs.	600 ft.-lbs.
ZT50A	1/2" Drive Adaptor	n/a	6 ozs.	n/a

**NOTE: If using ZT600M Torque Handle with ZT1 Wrench Heads, DO NOT EXCEED 500 ft.-lbs.**

CATALOG NO.	O.D.	GRIPPING WIDTH	WEIGHT	CATALOG NO.	O.D.	GRIPPING WIDTH	WEIGHT
ZT1:0.625T	0.625"	2.25"	6-1/2 lbs.	ZT3:2.125T	2.125"	2.50"	10-1/2 lbs.
ZT1:0.688T	0.688"	2.25"	6-1/2 lbs.	ZT3:2.188T	2.188"	2.50"	10-1/2 lbs.
ZT1:0.750T	0.750"	2.25"	6-1/2 lbs.	ZT3:2.228T	2.228"	2.50"	10-1/2 lbs.
ZT1:0.812T	0.812"	2.25"	6-1/2 lbs.	ZT3:2.250T	2.250"	2.50"	10-1/2 lbs.
ZT1:0.875T	0.875"	2.25"	6-1/2 lbs.	ZT3:2.302T	2.302"	2.50"	10-1/2 lbs.
ZT1:0.938T	0.938"	2.25"	6-1/2 lbs.	ZT3:2.312T	2.312"	2.50"	10-1/2 lbs.
ZT1:0.969T	0.969"	2.25"	6-1/2 lbs.	ZT3:2.340T	2.340"	2.50"	10-1/2 lbs.
ZT1:1.000T	1.000"	2.25"	6-1/2 lbs.	ZT3:2.375T	2.375"	2.50"	10-1/2 lbs.
ZT1:1.031T	1.031"	2.25"	6-1/2 lbs.	ZT4:2.375T	2.375"	3.00"	15-3/4 lbs.
ZT1:1.062T	1.062"	2.25"	6-1/2 lbs.	ZT4:2.500T	2.500"	3.00"	15-3/4 lbs.
ZT1:1.125T	1.125"	2.25"	6-1/2 lbs.	ZT4:2.562T	2.562"	3.00"	15-3/4 lbs.
ZT1:1.138T	1.138"	2.25"	6-1/2 lbs.	ZT4:2.625T	2.625"	3.00"	15-3/4 lbs.
ZT1:1.144T	1.144"	2.25"	6-1/2 lbs.	ZT4:2.688T	2.688"	3.00"	15-3/4 lbs.
ZT1:1.188T	1.188"	2.25"	6-1/2 lbs.	ZT4:2.750T	2.750"	3.00"	15-3/4 lbs.
ZT1:1.250T	1.250"	2.25"	6-1/2 lbs.	ZT4:2.812T	2.812"	3.00"	15-3/4 lbs.
<b>NOTE: Maximum Working Load for ZT1 Wrench Heads is 500 ft.-lbs.</b>				ZT4:2.875T	2.875"	3.00"	15-3/4 lbs.
ZT2:1.312T	1.312"	2.50"	9 lbs.	ZT5:3.000T	3.000"	3.50"	24 lbs.
ZT2:1.375T	1.375"	2.50"	9 lbs.	ZT5:3.062T	3.062"	3.50"	24 lbs.
ZT2:1.438T	1.438"	2.50"	9 lbs.	ZT5:3.125T	3.125"	3.50"	24 lbs.
ZT2:1.500T	1.500"	2.50"	9 lbs.	ZT5:3.200T	3.200"	3.50"	24 lbs.
ZT2:1.625T	1.625"	2.50"	9 lbs.	ZT5:3.250T	3.250"	3.50"	24 lbs.
ZT2:1.688T	1.688"	2.50"	9 lbs.	ZT5:3.375T	3.375"	3.50"	24 lbs.
ZT2:1.750T	1.750"	2.50"	9 lbs.	ZT5:3.500T	3.500"	3.50"	24 lbs.
ZT3:1.625T	1.625"	2.50"	10-1/2 lbs.	ZT5:3.625T	3.625"	3.50"	24 lbs.
ZT3:1.750T	1.750"	2.50"	10-1/2 lbs.	ZT5:3.688T	3.688"	3.50"	24 lbs.
ZT3:1.812T	1.812"	2.50"	10-1/2 lbs.	ZT5:3.750T	3.750"	3.50"	24 lbs.
ZT3:1.875T	1.875"	2.50"	10-1/2 lbs.	ZT5:3.875T	3.875"	3.50"	24 lbs.
ZT3:1.938T	1.938"	2.50"	10-1/2 lbs.	ZT5:4.000T	4.000"	3.50"	24 lbs.
ZT3:1.960T	1.960"	2.50"	10-1/2 lbs.	<b>SPECIAL O.D. SIZES AVAILABLE UPON REQUEST. SPECIAL SIZES ARE NON-RETURNABLE.</b>			
ZT3:2.000T	2.000"	2.50"	10-1/2 lbs.				
ZT3:2.062T	2.062"	2.50"	10-1/2 lbs.				

**WARNING!**  
 Protect yourself and others from **SERIOUS INJURY!**  
 Do Not Exceed Maximum Working Load!  
 Follow OSHA, NSC, etc. standards, safe practices and procedures.