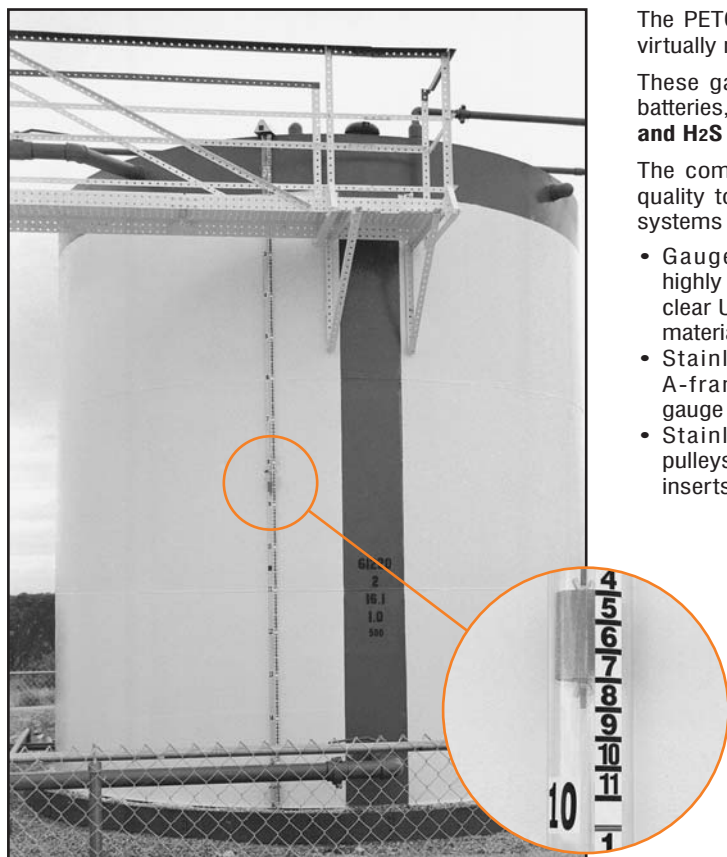


# PETOL TANK SAFETY GAUGE

## (for Vertical Storage Tanks)

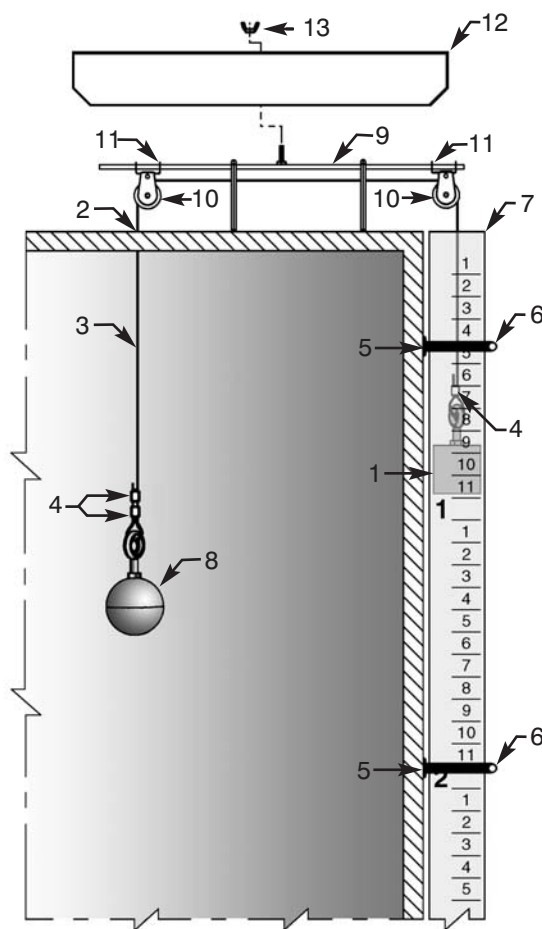


The PETOL TANK SAFETY GAUGE is a quality, accurate, easy to install and virtually maintenance free gauging system.

These gauges greatly **reduce risk** by keeping lease operators off of tank batteries, thus helping to **prevent injuries and accidental deaths due to falls and H<sub>2</sub>S exposure** when checking tank fluid levels.

The components used in the patented gauging system are of the highest quality to ensure years of dependable service. PETOL Tank Safety Gauge systems include the following:

- Gauge body produced from highly durable, weather resistant, clear UV protected polycarbonate material
- Stainless steel, low-profile A-frame with coated heavy gauge metal hut
- Stainless steel seal-bearing pulleys with deep grooved nylon inserts
- Nylon coated, stainless steel cable
- Tank attachments for welded, bolted, or fiberglass tanks
- Custom stainless steel floats
- Reflective vinyl measurement decals
- Nylon tank plug with minimal clearance for cable



CATALOG NO.	TANK HEIGHT
TSG6	6'
TSG8	8'
TSG10	10'
TSG11	11'
TSG12	12'
TSG1212	12-1/2'
TSG15	15'
TSG16	16'
TSG18	18'
TSG20	20'
TSG24	24'
TSG25	25'
TSG28	28'
TSG30	30'
<b>ENCLOSED HUT SYSTEMS*</b>	
TSG6-EH	6'
TSG8-EH	8'
TSG10-EH	10'
TSG11-EH	11'
TSG12-EH	12'
TSG1212-EH	12-1/2'
TSG15-EH	15'
TSG16-EH	16'
TSG18-EH	18'
TSG20-EH	20'
TSG24-EH	24'
TSG25-EH	25'
TSG28-EH	28'
TSG30-EH	30'

NOTE: LARGER SYSTEMS AVAILABLE UPON REQUEST.

\*ENCLOSED HUT SYSTEMS ARE RECOMMENDED FOR WINTER CLIMATES WITH BLOWING SNOW CONDITIONS.

KEY NO.	ITEM DESCRIPTION	NO. REQ'D.
<b>TANK SAFETY GAUGE KIT</b>		
1	INDICATOR	1
2	TANK PLUG	1
3	CABLE	1
4	CABLE SLEEVE	3
5	STRAP BRACKET	*
6	CLAMP	*
7	GAUGE BODY TUBE	1
8	FLOAT W/BOLT & NUT	1
9	A-FRAME	1
10	PULLEY	2
11	PULLEY KEEPER	2
12	HUT	1
13	WING NUT	1
* NO. REQ'D. WILL VARY BETWEEN SYSTEM SIZES.		