

PETOL SUCKEROD WRENCH



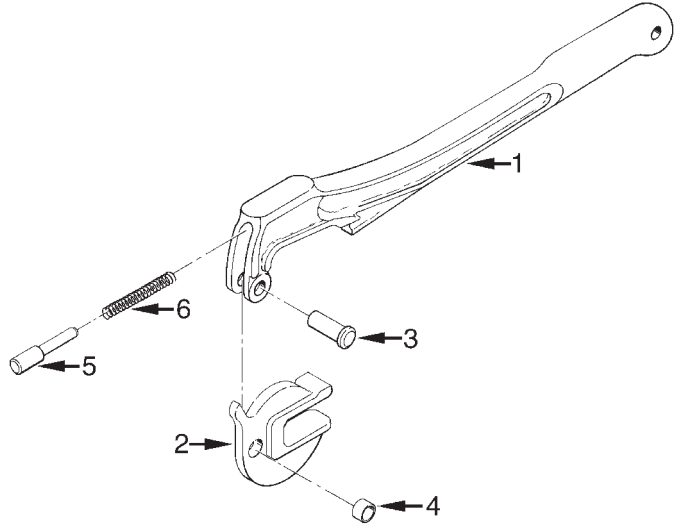
PETOL SUCKEROD WRENCHES are made of high-quality, heat-treated alloy steel and feature a smooth "snap-up" hammer-action to quickly break the toughest rod or coupling joint.

SQUARE TYPE

CATALOG NO.	SIZE OF SQUARE	SIZE OF ROD	LENGTH	WEIGHT
QA0-14	5/8"	1/2"	14"	4 lbs.
QA1-16	7/8"	5/8"	16"	6 lbs.
QA1-19	7/8"	5/8"	19"	6 lbs.
QA1-24	7/8"	5/8"	24"	8 lbs.
QA2-16	1"	3/4", 7/8"	16"	6 lbs.
QA2-19	1"	3/4", 7/8"	19"	7 lbs.
QA2-19R	1-1/8"	3/4", 7/8"	19"	6 lbs.
QA2-24	1"	3/4", 7/8"	24"	8 lbs.
QA4-19	1-5/16"	1"	19"	7 lbs.
QA4-24	1-5/16"	1"	24"	9 lbs.
QA5-19	1-1/2"	1-1/8"	19"	7 lbs.
QA5-24	1-1/2"	1-1/8"	24"	9 lbs.

COUPLING TYPE

CATALOG NO.	SIZE OF COUPLING	SIZE OF ROD	LENGTH	WEIGHT
QA1-19C	1-3/8"	5/8"	19"	7 lbs.
QA5-19	1-1/2"	3/4"	19"	7 lbs.
QA5-24	1-1/2"	3/4"	24"	9 lbs.
QA3-19C	1-5/8"	7/8"	19"	7 lbs.
QA4-19C	1-7/8"	1"	19"	10 lbs.



KEY NO.	ITEM DESCRIPTION	NO. REQ'D.
1	HANDLE	1
2	JAW	1
REPAIR KIT		
3	RIVET	1
4	BUSHING	1
5	PLUNGER	1
6	SPRING	1

WARNING! Protect yourself and others from SERIOUS INJURY!
 Never use a "cheater" or other means to extend handle!
 If wrench slips you can be hurt or injure other workers!

PETOL SUCKEROD SPIN WRENCH



PETOL SUCKEROD SPIN WRENCHES are used for making up rods when a "snap-up" type wrench is not necessary. They come in two sizes, are made of alloy steel, and are heat-treated to withstand rugged use.

CATALOG NO.	SIZE OF SQUARE	SIZE OF ROD	LENGTH	WEIGHT
QS1-16	7/8"	5/8"	16"	4-7/8 lbs.
QS2-16	1"	3/4", 7/8"	16"	4-3/4 lbs.

WARNING! Protect yourself and others from SERIOUS INJURY!
 Never use a "cheater" or other means to extend handle!
 If wrench slips you can be hurt or injure other workers!