

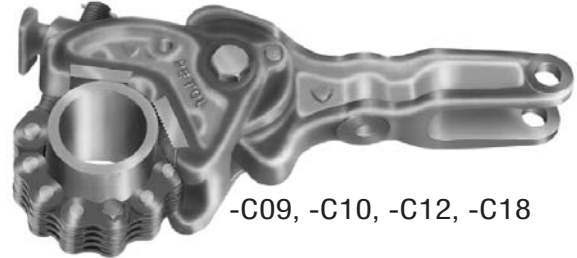
PETOL DRILL PIPE TONGS



DA4174-L08



-L21, -L23, -L28, -L36



-C09, -C10, -C12, -C18

PETOL DRILL PIPE TONGS are designed for making up and breaking out drill pipe, casing, and pneumatic drills on light rigs. These tongs are furnished as original equipment by rig manufacturers because of their ease in handling, quick application, and ability to withstand rugged use.

CATALOG NO.	O.D.*	GRIPPING WIDTH	HANDLE LENGTH**	WEIGHT***	MAXIMUM WORKING LOAD
DA1344	1" – 6"	4"	8"	12 lbs.	5,000 ft.-lbs.
DA2344-C12	2-1/8" – 5"	4.44"	12"	27 lbs.	
DA2344-L21	2-1/8" – 5"	4.44"	21"	31 lbs.	
DA4174-L08	3" – 8-1/4"	5.00"	8"	40 lbs.	
DA4174-C12	3" – 8-1/4"	5.00"	12"	43 lbs.	
DA4174-L21	3" – 8-1/4"	5.00"	21"	45 lbs.	
DA6184-C10	4-1/4" – 10-3/4"	4.88"	10"	49 lbs.	
DA6184-L36	4-1/4" – 10-3/4"	4.88"	36"	74 lbs.	
DA8184-C09	4" – 14"	7.25"	9"	91 lbs.	
DA8184-C18	4" – 14"	7.25"	18"	120 lbs.	
DA8184-L23	4" – 14"	7.25"	23"	114 lbs.	
DA8184-L28	4" – 14"	7.25"	28"	122 lbs.	
DA8184-L36	4" – 14"	7.25"	36"	129 lbs.	

Torques vary according to O.D. See Torque Tables on pages 72-73

* CHAIN ASSEMBLIES MUST BE ORDERED SEPARATELY. SEE CHAIN SELECTION GUIDE ON PAGE 79-80.

** CALL FACTORY FOR TORQUE ARM LENGTHS.

*** WEIGHTS DO NOT INCLUDE CHAIN.

WARNING!

Do Not Exceed Maximum Working Load.

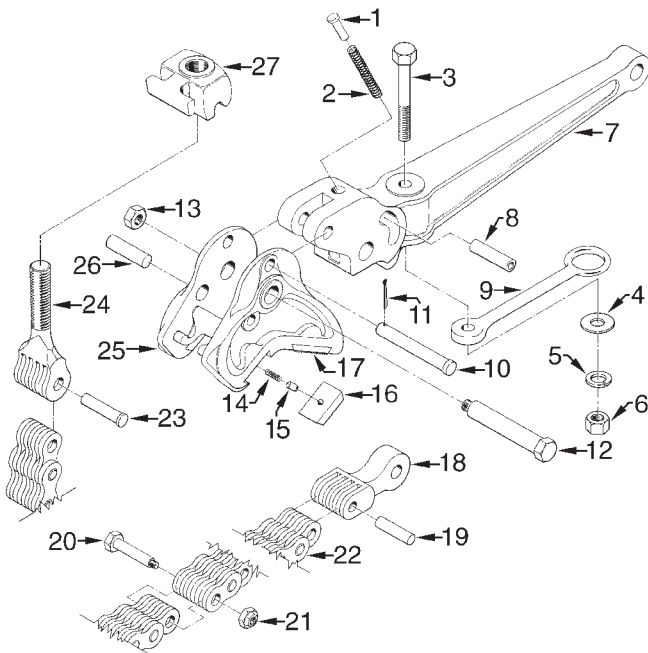
Overloading may result in injury or death.

Always use a load cell or other calibrated indicating device to monitor the line pull on the tong to avoid overload.

Read Safe Practices & Procedures Manual prior to operation.

Follow OSHA, NSC, etc. standards, safe practices, and procedures.

NOTE: SAFE PRACTICES & PROCEDURES MANUAL CAN BE FOUND ON PAGES 1-7 OF THIS CATALOG.



NOTE: PARTS AND / OR NO. REQ'D. MAY VARY SLIGHTLY AMONG SIZES. CALL FACTORY FOR DETAILS.

KEY NO.	ITEM DESCRIPTION	NO. REQ'D.
1	SPRING GUIDE	1
2	SPRING	1
3,4,5,6	HANGER BOLT & NUT ASSEMBLY	1
7	HANDLE	1
8	SPRING PIN BUSHING	1
9	HANGER	1
10,11	SPRING PIN W / COTTER	1
12,13	JAW BOLT & NUT	1
14	INSERT KEY SPRING	4
15	INSERT KEY	4
16	BLANK INSERT	2
17	INSERT	2
18	MASTER LINK	1
19	MASTER LINK CHAIN PIN	1
20,21	SPLICE BOLT & NUT	as req'd.
22	SPECIAL CHAIN ONLY	1
23	CHAIN SCREW PIN	1
24	CHAIN SCREW	1
25	JAW	1
26	MASTER LINK HANDLE PIN	1
27	CHAIN SCREW NUT	1

PETOL RIG WRENCH



The PETOL RIG WRENCH provides a faster and safer method of making up or breaking out drill pipe on water well and blast hole drilling rigs.

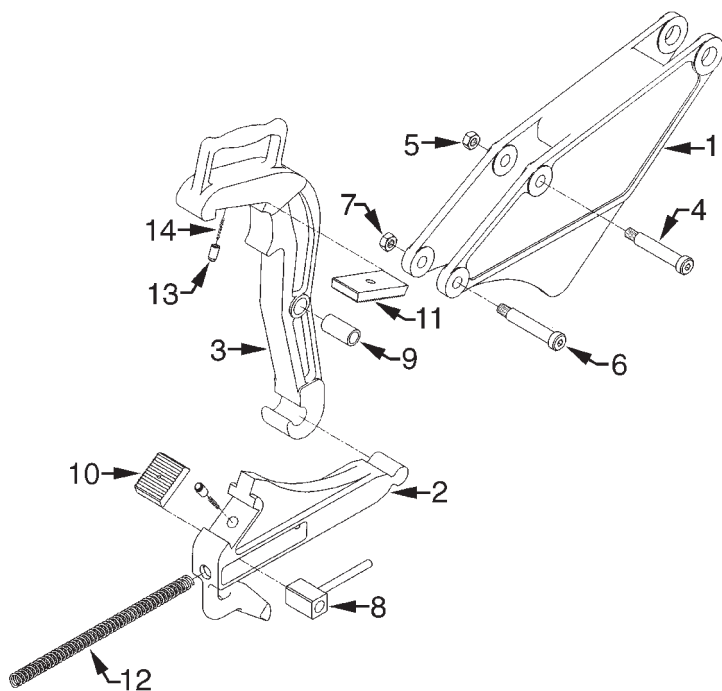
The added expense of hook jaw and insert breakage is greatly reduced through the PETOL Rig Wrench's nonjamming feature and rugged design. Because PETOL Inserts are seated in dovetail slots, they will not shear from the wrench during use.

The wrench is self-adjusting and has perfect ratcheting action. Specially designed hand grips enable the operator to apply and remove the wrench with ease.

CATALOG NO.	O.D.*	GRIPPING WIDTH	TORQUE ARM LENGTH	WEIGHT	MAXIMUM WORKING LOAD
PRWA01	3-1/2" – 5"	2.25"	approx. 18"***	53 lbs.	16,000 ft.-lbs.
PRWA01-D	3-1/2" – 5"	2.25"	approx. 22"***	55 lbs.	16,000 ft.-lbs.

* USE T-7 INSERTS FOR 3-1/2" O.D. ONLY.
 ** TORQUE ARM LENGTH WILL VARY FROM 17.38" to 19.38" DEPENDING ON O.D. BEING WORKED.
 *** TORQUE ARM LENGTH WILL VARY FROM 21.25" to 22.63" DEPENDING ON O.D. BEING WORKED.

WARNING!
 Protect yourself and others from **SERIOUS INJURY OR DEATH!**
Do Not Exceed Maximum Working Load!
 Follow OSHA, NSC, etc. standards, safe practices, and procedures.



KEY NO.	ITEM DESCRIPTION	NO. REQ'D.
1	HANDLE	1
2	LOWER JAW	1
3	UPPER JAW	1
4,5	UPPER JAW BOLT & NUT	1
6,7	LOWER JAW BOLT & NUT	1
8	LOWER JAW BUSHING	1
9	UPPER JAW BUSHING	1
10	LOWER JAW INSERT	1
11	UPPER JAW INSERT	1
12	SPRING	1
13	INSERT KEY	2
14	INSERT KEY SPRING	2