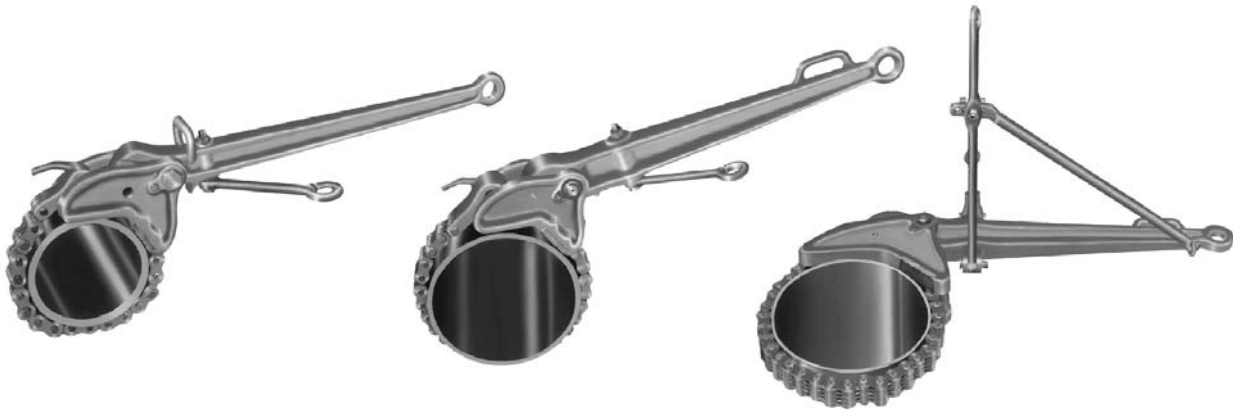


PETOL BULL TONGS



PETOL BULL TONGS are the most versatile tools available for making up or breaking out tool and pipe joints in the shop as well as on the drilling rig. Positive grip, perfect ratcheting, noncrushing and nonjamming features make these tongs the ideal choice for many jobs. This tong grips in the downward motion and ratchets

in the upward motion. The LA16H can be furnished with a 2-2 chain combination for added speed in latching, unlatching, and O.D. adjustment when working with lower torque requirements. The 2-2 chain is standard on the LA155-16.

CATALOG NO.	O.D.*	GRIPPING WIDTH	HANDLE LENGTH**	WEIGHT***	MAXIMUM WORKING LOAD
LA155-16	3-1/2" – 16"	4.38"	32"	67 lbs.	<i>Torques vary according to O.D. See Torque Tables on page 71</i>
LA16H	4" – 16"	6.88"	36"	96 lbs.	
LA116-C09	6" – 17"	7.55"	9"	95 lbs.	
LA116-C18	6" – 17"	7.55"	18"	124 lbs.	
LA116-23	6" – 17"	7.55"	23"	118 lbs.	
LA116-28	6" – 17"	7.55"	28"	126 lbs.	
LA116	5" – 17"	7.55"	36"	133 lbs.	
LA120	6" – 22"	10.00"	72"	376 lbs.	
LA116H	16" – 40"	7.63"	36"	218 lbs.	
LA116HX	30-1/8" – 65-7/8"	7.56"	36"	238 lbs.	

* CHAIN ASSEMBLIES MUST BE ORDERED SEPARATELY. SEE CHAIN SELECTION GUIDE ON PAGES 76-78.

** CALL FACTORY FOR TORQUE ARM LENGTHS.

*** WEIGHTS DO NOT INCLUDE CHAIN.

WARNING!

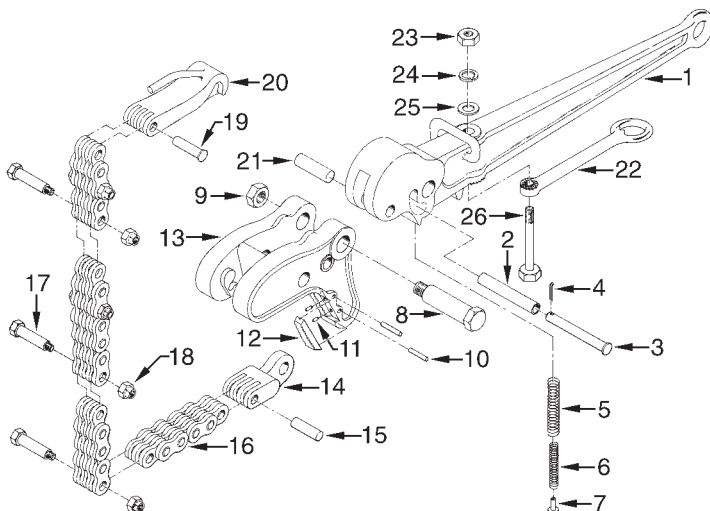
Do Not Exceed Maximum Working Load. Overloading may result in injury or death.

Always use a load cell or other calibrated indicating device to monitor the line pull on the tong to avoid overload.

Read Safe Practices & Procedures Manual prior to operation. Do not operate without a manual.

Follow OSHA, NSC, etc. standards, safe practices, and procedures.

NOTE: SAFE PRACTICES & PROCEDURES MANUAL CAN BE FOUND ON PAGES 1-7 OF THIS CATALOG.



NOTE: PARTS AND / OR NO. REQ'D. MAY VARY SLIGHTLY AMONG SIZES. CALL FACTORY FOR DETAILS.

KEY NO.	ITEM DESCRIPTION	NO. REQ'D.
1	HANDLE	1
2	SPRING PIN BUSHING	1
3,4	SPRING PIN W / COTTER	1
5	SPRING (OUTSIDE)	1
6	SPRING (INSIDE)	1
7	SPRING GUIDE	1
8,9	JAW BOLT & NUT	1
10	INSERT PIN	4
11	INSERT KEY	8
12	INSERT	4
13	JAW	1
14	MASTER LINK	1
15	MASTER LINK CHAIN PIN	1
16	SPECIAL CHAIN ONLY	1
17,18	SPLICE BOLT & NUT	as req'd.
19	CHAIN HOOK PIN	1
20	CHAIN HOOK	1
21	MASTER LINK HANDLE PIN	1
22	HANGER	1
23,24,25,26	HANGER BOLT & NUT ASSEMBLY	1