

# PETOL PUMP BENCHES



*Note:*  
Drip Pans for  
**ALL** Pump Benches  
must be ordered  
separately.

*Note:* Roller Assembly &  
Base Plates must be ordered  
separately.

CATALOG NO.	ITEM DESCRIPTION	WEIGHT
<b>ZB2460</b>	<b>PETOL Pump Bench - 32" High</b>	<b>261 lbs.</b>
ZB2460-58-24	PETOL Bench Drip Pan - 8"D x 24"L	18-3/8 lbs.
ZI2460	PETOL Bench Installation Kit	1 lb.
ZNB12	PETOL Bench Back-up Bar - 12" L	4-5/8 lbs.
<b>ZB1260</b>	<b>PETOL Pump Bench - 32" High</b>	<b>167 lbs.</b>
ZB1260-56-30	PETOL Bench Drip Pan - 6"D x 30"L	15-1/8 lbs.
ZI1260-7	PETOL Bench Installation Kit	1 lb.
ZB1260-10	PETOL Barhook Rack - 48"L	8 lbs.
ZB1260-16	PETOL Barrelrack - Steel	11 lbs.
<b>ZB1219</b>	<b>PETOL Pump Bench - 32" High</b>	<b>115 lbs.</b>
ZE1218-54-30	PETOL Bench Drip Pan - 4"D x 30"L	13 lbs.
ZI1219	PETOL Bench Installation Kit	13 ozs.
<b>ZE1218</b>	<b>PETOL Pump Bench Extension Stand - 32" High</b>	<b>107 lbs.</b>
ZE1218-BTC	PETOL Pump Bench Extension Stand w / Base Tread Clamp	117 lbs.
ZE1218-1	PETOL Extension Stand Roller Assembly	14-1/4 lbs.
ZE1218-1H	PETOL Extension Stand Roller Assembly - Heavy Duty	17 lbs.
ZE1218-54-30	PETOL Extension Stand Drip Pan - 4"D x 30"L	13 lbs.
ZI1218	PETOL Extension Stand Installation Kit	1-1/4 lbs.
ZE1218-8	PETOL Extension Stand Base Plate	164 lbs.
ZE1218-8M	PETOL Extension Stand Base Plate w / Milled Edges	158 lbs.
ZE1218-18	PETOL Extension Stand Oil Deflector	1 lb.

# PETOL TOOL STAND



*Note:*  
Paper Rack and Paper Cutter  
must be ordered separately.

CATALOG NO.	ITEM DESCRIPTION	WEIGHT
ZF1626-SC-5-23	PETOL Tool Stand w /5" Casters - 38"H	41 lbs.
ZF1626-4	PETOL Tool Stand Paper Rack	3-5/8 lbs.
ZF1626-6	PETOL Tool Stand Paper Cutter	3 lbs.
ZNC5	PETOL Tool Stand Caster - 5"	1-7/8 lbs.

# RINSE TANK



CATALOG NO.	ITEM DESCRIPTION	WEIGHT
ZM1832-01-41D5	Rinse Tank	129 lbs.

# PETOL PUMP SUPPORT



*Note:*  
ZSV2422-3AH-BR vee-saddle  
must be ordered separately.

CATALOG NO.	ITEM DESCRIPTION	WEIGHT
ZP2422D4	PETOL Pump Support w / 4" Casters	38 lbs.
ZP2422-2-10A	PETOL Pump Support Shaft Assembly	10-1/4 lbs.
ZP2422-2-10	PETOL Pump Support Shaft	9-3/4 lbs.
ZP2422-2-13	PETOL Pump Support Shaft Spiralox Ring (2 req'd.)	1/8 oz.
ZP2422-2-14	PETOL Pump Support Shaft Steel Ball Bearings (4 req'd.)	1/8 oz.
ZP2422-0-1	PETOL Pump Support Tube	9-3/4 lbs.
ZP2422-0-3	PETOL Pump Support Tube Spiralox Ring (2 req'd.)	1/8 oz.
ZP2422-0-4	PETOL Pump Support Tube Steel Ball Bearings (8 req'd.)	1/8 oz.
ZSV2422-3AH-BR	PETOL Pump Support Adj. Vee Saddle - Heavy Duty - Bronze	4-3/8 lbs.
ZSV2422-8A-BR	PETOL Pump Support Adj. Roller Saddle - Bronze	6-1/8 lbs.
ZNC4	PETOL Pump Support Swivel Caster - 4"	1-1/2 lbs.
ZP2422-7	PETOL Pump Support Susan	1-1/4 lbs.

# PETOL BENCHRENCH



PETOL BENCHRENCHES fit into PETOL Pump Benches and provide a strong and stable hold for makeup and breakout of pump sections.

CATALOG NO.	WRENCH SIZE	WEIGHT
ZWB1320	13/16"	2 lbs.
ZWB1420	7/8"	2-3/8 lbs.
ZWB1620	1"	2-1/4 lbs.
ZWB1720	1-1/16"	2-1/4 lbs.
ZWB2020	1-1/4"	2-1/4 lbs.
ZWB2120	1-5/16"	2-1/4 lbs.
ZWB2220	1-3/8"	2-1/4 lbs.
ZWB2420	1-1/2"	2-7/8 lbs.
ZWB2620	1-5/8"	2-7/8 lbs.
ZWB2720	1-11/16"	2-7/8 lbs.
ZWB2820	1-3/4"	2-3/4 lbs.
ZWB3020	1-7/8"	2-3/4 lbs.
ZWB3220	2"	3-1/4 lbs.
ZWB3520	2-3/16"	3-7/8 lbs.
ZWB3620	2-1/4"	3-3/4 lbs.
ZWB3820	2-3/8"	5-1/8 lbs.

# PETOL VALVE CAGE BENCHRENCH



PETOL VALVE CAGE BENCHRENCHES are specifically designed to fit in PETOL Pump Benches, Sliding Socket Plates, Pump Supports, and Socketrench Handles.

CATALOG NO.	SIZE OF CAGE	WEIGHT
ZWC01	1-1/16" to 1-1/2"	2 lbs.
ZWC23	1-1/2" to 1-3/4"	2-3/8 lbs.

# PETOL SOCKETRENCH HANDLE



PETOL SOCKETRENCH HANDLES add versatility to the entire line of PETOL Platerenches. An operator can attach a Platerench to the handle and use it like a Shoprench. The PETOL Valve Cage Benchrench can also be attached to the Socketrench Handle. The Socketrench Handles are available to fit Platerench stem diameters 1-1/4" and 1-1/2", and can be ordered with a 45° handle bend if desired. All Socketrench Handles are heat-treated for years of dependable service.

CATALOG NO.	SOCKET SIZE	WEIGHT
ZWH2026-00	1-1/4"	6-1/4 lbs.
ZWH2026-45	1-1/4"	6 lbs.
ZWH2426-00	1-1/2"	6-1/8 lbs.

**WARNING! Protect yourself and others from SERIOUS INJURY! Never use a "cheater" or other means to extend handle! If wrench slips you can be hurt or injure other workers!**

# PETOL PLATERENCH



PETOL PLATERENCHES are specifically designed to fit into the PETOL Sliding Socket Plate and Socketrench Handle. The Platerench fits on the pump flats and provides a strong and stable hold for makeup and breakout of pump sections.

CATALOG NO.	WRENCH SIZE	WEIGHT
ZWP1320	13/16"	1-5/8 lbs.
ZWP1420	7/8"	1-5/8 lbs.
ZWP1620	1"	1-1/2 lbs.
ZWP1720	1-1/16"	1-1/2 lbs.
ZWP1920	1-3/16"	1-1/2 lbs.
ZWP2020	1-1/4"	1-1/2 lbs.
ZWP2120	1-5/16"	1-1/2 lbs.
ZWP2220	1-3/8"	1-1/2 lbs.
ZWP2420	1-1/2"	2-1/4 lbs.
ZWP2620	1-5/8"	2-1/8 lbs.
ZWP2720	1-11/16"	2-1/8 lbs.
ZWP2820	1-3/4"	2-1/8 lbs.
ZWP3020	1-7/8"	2 lbs.
ZWP3220	2"	2-1/2 lbs.
ZWP3520	2-3/16"	3-1/8 lbs.
ZWP3620	2-1/4"	3-1/8 lbs.
ZWP3820	2-3/8"	4-5/8 lbs.
ZWP3224	2"	2-3/4 lbs.
ZWP3524	2-3/16"	5 lbs.
ZWP3824	2-3/8"	4-5/8 lbs.

# PETOL SHOPRENCH

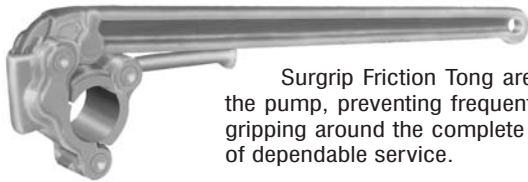


PETOL SHOPRENCHES, sometimes called end wrenches, are extremely strong and can handle tough makeup and breakout jobs.

CATALOG NO.	WRENCH SIZE	WEIGHT
ZWS13	13/16"	4-1/4 lbs.
ZWS14	7/8"	4-3/8 lbs.
ZWS16	1"	4-1/4 lbs.
ZWS17	1-1/16"	4-3/8 lbs.
ZWS20	1-1/4"	4-3/8 lbs.
ZWS21	1-5/16"	4-1/4 lbs.
ZWS22	1-3/8"	4 lbs.
ZWS24	1-1/2"	5 lbs.
ZWS26	1-5/8"	4-3/4 lbs.
ZWS27	1-11/16"	5 lbs.
ZWS28	1-3/4"	4-7/8 lbs.
ZWS30	1-7/8"	4-1/8 lbs.
ZWS32	2"	5-1/4 lbs.
ZWS35	2-3/16"	5-3/4 lbs.
ZWS38	2-3/8"	7-1/4 lbs.

**WARNING! Protect yourself and others from SERIOUS INJURY! Never use a "cheater" or other means to extend handle! If wrench slips you can be hurt or injure other workers!**

# PETOL SURGRIP FRICTION TONGS

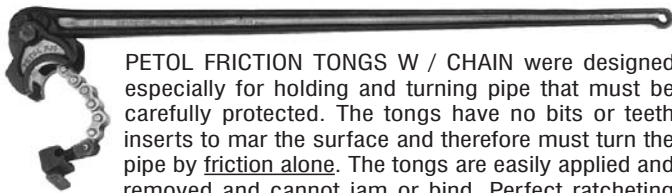


PETOL SURGRIP FRICTION TONGS are designed to makeup and breakout pump sections without marring the pump barrel or rod surfaces. Features of the Surgrip Friction Tong are its high quality steel construction, and the ability to ratchet after being applied to the pump, preventing frequent wrench adjustments and removal. Three precision machined jaws provide friction gripping around the complete circumference of the pump. Every piece of the tong is heat-treated to assure years of dependable service.

CATALOG NO.	O.D.	GRIPPING WIDTH	WEIGHT	MAXIMUM WORKING LOAD	CATALOG NO.	O.D.	GRIPPING WIDTH	WEIGHT	MAXIMUM WORKING LOAD
ZT1:0.625	0.625"	2.25"	6-1/2 lbs.	500 ft.-lbs.	ZT3:2.125	2.125"	2.50"	11-1/2 lbs.	2,300 ft.-lbs.
ZT1:0.688	0.688"	2.25"	6-1/2 lbs.	500 ft.-lbs.	ZT3:2.188	2.188"	2.50"	11-1/2 lbs.	2,300 ft.-lbs.
ZT1:0.750	0.750"	2.25"	6-1/2 lbs.	500 ft.-lbs.	ZT3:2.228	2.228"	2.50"	11-1/2 lbs.	2,300 ft.-lbs.
ZT1:0.812	0.812"	2.25"	6-1/2 lbs.	500 ft.-lbs.	ZT3:2.250	2.250"	2.50"	11-1/2 lbs.	2,300 ft.-lbs.
ZT1:0.875	0.875"	2.25"	6-1/2 lbs.	500 ft.-lbs.	ZT3:2.302	2.302"	2.50"	11-1/2 lbs.	2,300 ft.-lbs.
ZT1:0.938	0.938"	2.25"	6-1/2 lbs.	500 ft.-lbs.	ZT3:2.312	2.312"	2.50"	11-1/2 lbs.	2,300 ft.-lbs.
ZT1:0.969	0.969"	2.25"	6-1/2 lbs.	500 ft.-lbs.	ZT3:2.340	2.340"	2.50"	11-1/2 lbs.	2,300 ft.-lbs.
ZT1:1.000	1.000"	2.25"	6-1/2 lbs.	500 ft.-lbs.	ZT3:2.375	2.375"	2.50"	11-1/2 lbs.	2,300 ft.-lbs.
ZT1:1.031	1.031"	2.25"	6-1/2 lbs.	500 ft.-lbs.	ZT4:2.375	2.375"	3.00"	20 lbs.	3,000 ft.-lbs.
ZT1:1.062	1.062"	2.25"	6-1/2 lbs.	500 ft.-lbs.	ZT4:2.500	2.500"	3.00"	20 lbs.	3,000 ft.-lbs.
ZT1:1.125	1.125"	2.25"	6-1/2 lbs.	500 ft.-lbs.	ZT4:2.562	2.562"	3.00"	20 lbs.	3,000 ft.-lbs.
ZT1:1.125H	1.250"	2.25"	6-1/2 lbs.	500 ft.-lbs.	ZT4:2.625	2.625"	3.00"	20 lbs.	3,000 ft.-lbs.
ZT1:1.138	1.138"	2.25"	6-1/2 lbs.	500 ft.-lbs.	ZT4:2.688	2.688"	3.00"	20 lbs.	3,000 ft.-lbs.
ZT1:1.144	1.144"	2.25"	6-1/2 lbs.	500 ft.-lbs.	ZT4:2.750	2.750"	3.00"	20 lbs.	3,000 ft.-lbs.
ZT1:1.188	1.188"	2.25"	6-1/2 lbs.	500 ft.-lbs.	ZT4:2.812	2.812"	3.00"	20 lbs.	3,000 ft.-lbs.
ZT1:1.250	1.250"	2.25"	6-1/2 lbs.	500 ft.-lbs.	ZT4:2.875	2.875"	3.00"	20 lbs.	3,000 ft.-lbs.
ZT2:1.312	1.312"	2.50"	10-1/2 lbs.	1,200 ft.-lbs.	ZT5:3.000	3.000"	3.50"	45 lbs.	4,500 ft.-lbs.
ZT2:1.375	1.375"	2.50"	10-1/2 lbs.	1,200 ft.-lbs.	ZT5:3.062	3.062"	3.50"	45 lbs.	4,500 ft.-lbs.
ZT2:1.438	1.438"	2.50"	10-1/2 lbs.	1,200 ft.-lbs.	ZT5:3.125	3.125"	3.50"	45 lbs.	4,500 ft.-lbs.
ZT2:1.500	1.500"	2.50"	10-1/2 lbs.	1,200 ft.-lbs.	ZT5:3.200	3.200"	3.50"	45 lbs.	4,500 ft.-lbs.
ZT2:1.625	1.625"	2.50"	10-1/2 lbs.	1,200 ft.-lbs.	ZT5:3.250	3.250"	3.50"	45 lbs.	4,500 ft.-lbs.
ZT2:1.688	1.688"	2.50"	10-1/2 lbs.	1,200 ft.-lbs.	ZT5:3.375	3.375"	3.50"	45 lbs.	4,500 ft.-lbs.
ZT2:1.750	1.750"	2.50"	10-1/2 lbs.	1,200 ft.-lbs.	ZT5:3.500	3.500"	3.50"	45 lbs.	4,500 ft.-lbs.
ZT3:1.625	1.625"	2.50"	11-1/2 lbs.	2,300 ft.-lbs.	ZT5:3.625	3.625"	3.50"	45 lbs.	4,500 ft.-lbs.
(for rod couplings)					ZT5:3.688	3.688"	3.50"	45 lbs.	4,500 ft.-lbs.
ZT3:1.750	1.750"	2.50"	11-1/2 lbs.	2,300 ft.-lbs.	ZT5:3.750	3.750"	3.50"	45 lbs.	4,500 ft.-lbs.
ZT3:1.812	1.812"	2.50"	11-1/2 lbs.	2,300 ft.-lbs.	ZT5:3.875	3.875"	3.50"	45 lbs.	4,500 ft.-lbs.
ZT3:1.875	1.875"	2.50"	11-1/2 lbs.	2,300 ft.-lbs.	ZT5:4.000*	4.000"	3.50"	45 lbs.	4,500 ft.-lbs.
ZT3:1.938	1.938"	2.50"	11-1/2 lbs.	2,300 ft.-lbs.	<b>SPECIAL O.D. SIZES AVAILABLE UPON REQUEST. SPECIAL SIZES ARE NON-RETURNABLE.</b>				
ZT3:1.960	1.960"	2.50"	11-1/2 lbs.	2,300 ft.-lbs.	* FOR SIZES LARGER THAN 4.000", SEE PETOL FRICTION TONGS W / CHAIN.				
ZT3:2.000	2.000"	2.50"	11-1/2 lbs.	2,300 ft.-lbs.					
ZT3:2.062	2.062"	2.50"	11-1/2 lbs.	2,300 ft.-lbs.					

**WARNING! Protect yourself and others from SERIOUS INJURY!**  
**Never use a "cheater" or other means to extend handle!**  
**If wrench slips you can be hurt or injure other workers!**

# PETOL FRICTION TONGS W / CHAIN



PETOL FRICTION TONGS W / CHAIN were designed especially for holding and turning pipe that must be carefully protected. The tongs have no bits or teeth inserts to mar the surface and therefore must turn the pipe by friction alone. The tongs are easily applied and removed and cannot jam or bind. Perfect ratcheting

action and efficient performance are assured. When ordering, make sure to specify the exact O.D. on which the tongs are to be used.

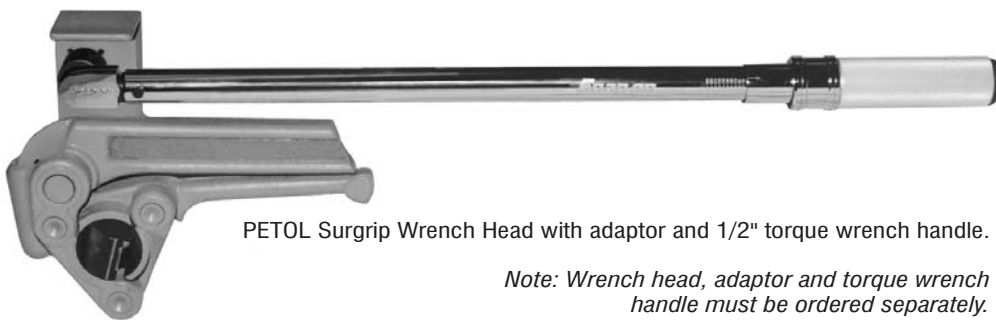
CATALOG NO.	O.D.	HANDLE LENGTH	GRIPPING WIDTH	WEIGHT	MAXIMUM WORKING LOAD
FA3:3.000	3.000"	51"	4.31"	50 lbs.	10,000 ft.-lbs.
FA3:3.125	3.125"	51"	4.31"	50 lbs.	10,000 ft.-lbs.
FA3:3.250	3.250"	51"	4.31"	50 lbs.	10,000 ft.-lbs.
FA3:3.500	3.500"	51"	4.31"	50 lbs.	10,000 ft.-lbs.
FA3:3.625	3.625"	51"	4.31"	50 lbs.	10,000 ft.-lbs.
FA3:3.750	3.750"	51"	4.31"	50 lbs.	10,000 ft.-lbs.
FA3:4.000	4.000"	51"	4.31"	50 lbs.	10,000 ft.-lbs.
FA4:4.000	4.000"	46"	4.31"	54 lbs.	12,500 ft.-lbs.
FA4:4.125	4.125"	46"	4.31"	54 lbs.	12,500 ft.-lbs.
FA4:4.250	4.250"	46"	4.31"	54 lbs.	12,500 ft.-lbs.
FA4:4.500	4.500"	46"	4.31"	54 lbs.	12,500 ft.-lbs.
FA4:4.750	4.750"	46"	4.31"	54 lbs.	12,500 ft.-lbs.

**SPECIAL O.D. SIZES AVAILABLE UPON REQUEST. SPECIAL SIZES ARE NON-RETURNABLE.**

**WARNING!**  
**Do Not Exceed Maximum Working Load.**  
**Overloading may result in injury or death.**  
**Always use a load cell or other calibrated indicating device to monitor the line pull on the tong to avoid overload.**  
**Read Safe Practices & Procedures Manual prior to operation.**  
**Follow OSHA, NSC, etc. standards, safe practices, and procedures.**

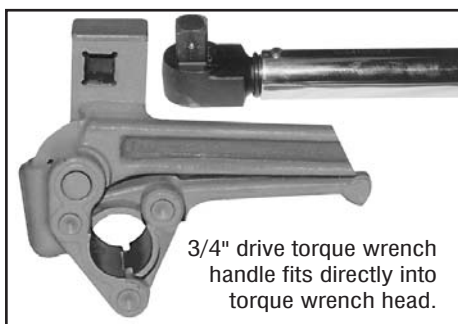
NOTE: SAFE PRACTICES & PROCEDURES MANUAL CAN BE FOUND ON PAGES 1-7 OF THIS CATALOG.

# PETOL SURGRIP TORQUE WRENCH



PETOL Surgrip Wrench Head with adaptor and 1/2" torque wrench handle.

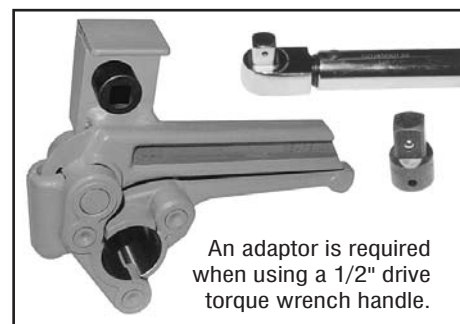
*Note: Wrench head, adaptor and torque wrench handle must be ordered separately.*



3/4" drive torque wrench handle fits directly into torque wrench head.

PETOL SURGRIP TORQUE WRENCHES offer exact measurement in ft.-lbs. of torque when making up pump parts. Each wrench is bored to grip a specific O.D. by friction alone and will not mar the surface of the parts.

These wrenches offer the features of the PETOL Surgrip Friction Tong and can be used with any 1/2" or 3/4" drive "click-type" torque wrench handle.



An adaptor is required when using a 1/2" drive torque wrench handle.

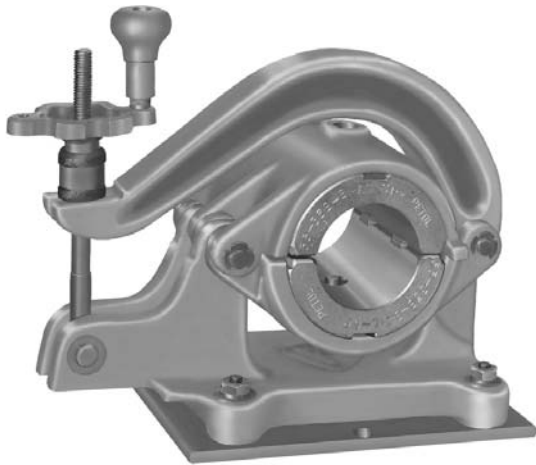
CATALOG NO.	ITEM DESCRIPTION	LENGTH	WEIGHT	MAXIMUM WORKING LOAD
ZT250M	Torque Wrench Handle	23-3/16"	3-1/2 lbs.	250 ft.-lbs.
ZT600M	Torque Wrench Handle	40-3/4"	11-1/2 lbs.	600 ft.-lbs.
ZT50A	1/2" Drive Adaptor	n/a	6 ozs.	n/a

**NOTE: If using ZT600M Torque Handle with ZT1 Wrench Heads, DO NOT EXCEED 500 ft.-lbs.**

CATALOG NO.	O.D.	GRIPPING WIDTH	WEIGHT	CATALOG NO.	O.D.	GRIPPING WIDTH	WEIGHT
ZT1:0.625T	0.625"	2.25"	6-1/2 lbs.	ZT3:2.125T	2.125"	2.50"	10-1/2 lbs.
ZT1:0.688T	0.688"	2.25"	6-1/2 lbs.	ZT3:2.188T	2.188"	2.50"	10-1/2 lbs.
ZT1:0.750T	0.750"	2.25"	6-1/2 lbs.	ZT3:2.228T	2.228"	2.50"	10-1/2 lbs.
ZT1:0.812T	0.812"	2.25"	6-1/2 lbs.	ZT3:2.250T	2.250"	2.50"	10-1/2 lbs.
ZT1:0.875T	0.875"	2.25"	6-1/2 lbs.	ZT3:2.302T	2.302"	2.50"	10-1/2 lbs.
ZT1:0.938T	0.938"	2.25"	6-1/2 lbs.	ZT3:2.312T	2.312"	2.50"	10-1/2 lbs.
ZT1:0.969T	0.969"	2.25"	6-1/2 lbs.	ZT3:2.340T	2.340"	2.50"	10-1/2 lbs.
ZT1:1.000T	1.000"	2.25"	6-1/2 lbs.	ZT3:2.375T	2.375"	2.50"	10-1/2 lbs.
ZT1:1.031T	1.031"	2.25"	6-1/2 lbs.	ZT4:2.375T	2.375"	3.00"	15-3/4 lbs.
ZT1:1.062T	1.062"	2.25"	6-1/2 lbs.	ZT4:2.500T	2.500"	3.00"	15-3/4 lbs.
ZT1:1.125T	1.125"	2.25"	6-1/2 lbs.	ZT4:2.562T	2.562"	3.00"	15-3/4 lbs.
ZT1:1.138T	1.138"	2.25"	6-1/2 lbs.	ZT4:2.625T	2.625"	3.00"	15-3/4 lbs.
ZT1:1.144T	1.144"	2.25"	6-1/2 lbs.	ZT4:2.688T	2.688"	3.00"	15-3/4 lbs.
ZT1:1.188T	1.188"	2.25"	6-1/2 lbs.	ZT4:2.750T	2.750"	3.00"	15-3/4 lbs.
ZT1:1.250T	1.250"	2.25"	6-1/2 lbs.	ZT4:2.812T	2.812"	3.00"	15-3/4 lbs.
<b>NOTE: Maximum Working Load for ZT1 Wrench Heads is 500 ft.-lbs.</b>				ZT4:2.875T	2.875"	3.00"	15-3/4 lbs.
ZT2:1.312T	1.312"	2.50"	9 lbs.	ZT5:3.000T	3.000"	3.50"	24 lbs.
ZT2:1.375T	1.375"	2.50"	9 lbs.	ZT5:3.062T	3.062"	3.50"	24 lbs.
ZT2:1.438T	1.438"	2.50"	9 lbs.	ZT5:3.125T	3.125"	3.50"	24 lbs.
ZT2:1.500T	1.500"	2.50"	9 lbs.	ZT5:3.200T	3.200"	3.50"	24 lbs.
ZT2:1.625T	1.625"	2.50"	9 lbs.	ZT5:3.250T	3.250"	3.50"	24 lbs.
ZT2:1.688T	1.688"	2.50"	9 lbs.	ZT5:3.375T	3.375"	3.50"	24 lbs.
ZT2:1.750T	1.750"	2.50"	9 lbs.	ZT5:3.500T	3.500"	3.50"	24 lbs.
ZT3:1.625T	1.625"	2.50"	10-1/2 lbs.	ZT5:3.625T	3.625"	3.50"	24 lbs.
ZT3:1.750T	1.750"	2.50"	10-1/2 lbs.	ZT5:3.688T	3.688"	3.50"	24 lbs.
ZT3:1.812T	1.812"	2.50"	10-1/2 lbs.	ZT5:3.750T	3.750"	3.50"	24 lbs.
ZT3:1.875T	1.875"	2.50"	10-1/2 lbs.	ZT5:3.875T	3.875"	3.50"	24 lbs.
ZT3:1.938T	1.938"	2.50"	10-1/2 lbs.	ZT5:4.000T	4.000"	3.50"	24 lbs.
ZT3:1.960T	1.960"	2.50"	10-1/2 lbs.	<b>SPECIAL O.D. SIZES AVAILABLE UPON REQUEST. SPECIAL SIZES ARE NON-RETURNABLE.</b>			
ZT3:2.000T	2.000"	2.50"	10-1/2 lbs.				
ZT3:2.062T	2.062"	2.50"	10-1/2 lbs.				

**WARNING!**  
 Protect yourself and others from **SERIOUS INJURY!**  
 Do Not Exceed Maximum Working Load!  
 Follow OSHA, NSC, etc. standards, safe practices and procedures.

# PETOL SURGRIP FRICTION VISE



PETOL SURGRIP FRICTION VISES provide oil field pump manufacturers and pump repair shops with a friction vise having superior noncrushing and nonmarring features for use in final assembly or repair of sub-surface pumps.

Surgrip Friction Vises come in two sizes, ZV35-52 and ZV55-54. Interchangeable aluminum bushings are available to meet specific O.D. requirements. See list of bushing sizes on page 59.

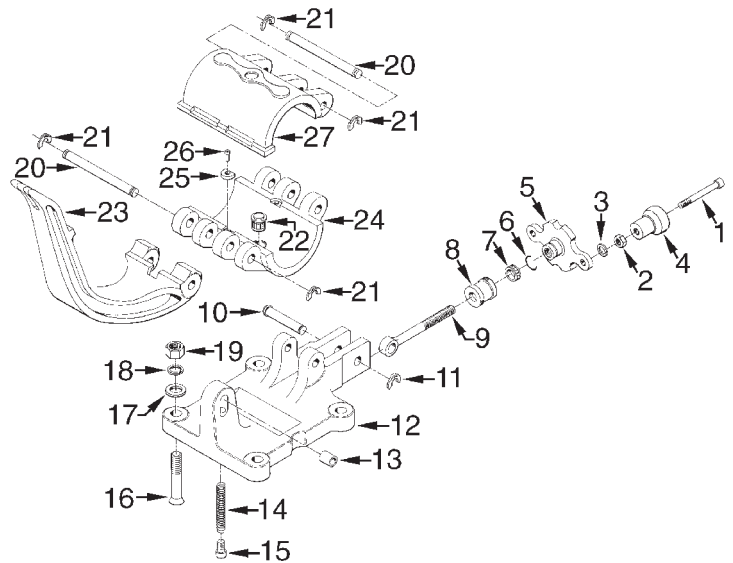
The ZV55-54 PETOL Surgrip Friction Vise can be fitted with special adaptor bushings enabling it to handle all the smaller O.D.'s of the ZV35-52.

*Note:*  
Vise Plate, Vise Plate Bolts & Nuts and Vise Bushings must be ordered separately.

CATALOG NO.	ITEM DESCRIPTION	WEIGHT
<b>ZV35-52</b>	<b>PETOL Surgrip Friction Vise w / 2" Nut</b>	<b>43 lbs.</b>
<b>ZV35-54</b>	<b>PETOL Surgrip Friction Vise w / 4" Nut</b>	<b>44 lbs.</b>
ZV35-1	PETOL Surgrip Friction Vise Plate	9-1/4 lbs.
HB38	PETOL Surgrip Friction Vise Plate Bolt & Nut Assembly (4 req'd. per vise)	2 ozs.
HP302	PETOL Surgrip Friction Vise Plate Lock Pin	4 ozs.
<b>ZV55-54</b>	<b>PETOL Surgrip Friction Vise w / 4" Nut</b>	<b>68 lbs.</b>
ZV55-1	PETOL Surgrip Friction Vise Plate	10-1/4 lbs.
HB39	PETOL Surgrip Friction Vise Plate Bolt & Nut Assembly (4 req'd. per vise)	2 ozs.
HP302	PETOL Surgrip Friction Vise Plate Lock Pin	4 ozs.
ZUV55-35A	PETOL Surgrip Friction Vise Adaptor Bushings (includes 2 ea. ZUV55-35B-8)	8-1/8 lbs.
ZUV55-35B-8	PETOL Surgrip Friction Vise Adaptor Bushing Plunger Assembly	1-3/4 ozs.

NOTE: PARTS MAY VARY SLIGHTLY AMONG SIZES. CALL FACTORY FOR DETAILS.

KEY NO.	ITEM DESCRIPTION	NO. REQ'D.
<b>WISE BALL BEARING NUT ASSEMBLY</b>		
1,2,3	WISE NUT HANDLE BOLT , NUT, & LOCK WASHER	1
4	WISE NUT HANDLE GRIP	1
5	WISE NUT HANDLE	1
6	WISE NUT CLIP RING	1
7	WISE NUT BEARING COMPLETE	1
8	WISE NUT SLEEVE	1
9	WISE NUT CLAMPING SCREW	1
10,11	WISE BASE CLAMPING SCREW RIVET W / KLIPRING	1
12	WISE BASE	1
13	WISE BASE BUSHING	1
14	WISE BASE SPRING	1
15	WISE BASE SET SCREW	1
16,17,18,19	PLATE BOLT & NUT ASSEMBLY	4
20,21	WISE JAW RIVET W / KLIPRINGS	2
22	WISE BUSHING PLUNGER ASSEMBLY	2
23	WISE CLAMPING ARM	1
24	WISE LOWER JAW	1
25	WISE BUSHING KEY	4
26	WISE BUSHING KEY SCREW	4
27	WISE UPPER JAW	1



# PETOL SURGRIP FRICTION VISE BUSHINGS

CATALOG NO.	O.D.	WEIGHT
<b>ZV35-52/ZV35-54 VISE BUSHINGS</b>		
ZUV35:0.625	0.625"	5-1/4 lbs.
ZUV35:0.688	0.688"	5-1/8 lbs.
ZUV35:0.875	0.875"	5 lbs.
ZUV35:1.000	1.000"	5 lbs.
ZUV35:1.062	1.062"	4-7/8 lbs.
ZUV35:1.125	1.125"	4-7/8 lbs.
ZUV35:1.250	1.250"	4-3/4 lbs.
ZUV35:1.312	1.312"	4-5/8 lbs.
ZUV35:1.375	1.375"	4-1/2 lbs.
ZUV35:1.438	1.438"	4-1/2 lbs.
ZUV35:1.500	1.500"	4-3/8 lbs.
ZUV35:1.625	1.625"	4-1/4 lbs.
ZUV35:1.688	1.688"	4-1/8 lbs.
ZUV35:1.750	1.750"	4 lbs.
ZUV35:1.812	1.812"	4 lbs.
ZUV35:1.875	1.875"	3-7/8 lbs.
ZUV35:2.000	2.000"	3-5/8 lbs.
ZUV35:2.062	2.062"	3-5/8 lbs.
ZUV35:2.125	2.125"	3-1/2 lbs.
ZUV35:2.250	2.250"	3-1/4 lbs.
ZUV35:2.312	2.312"	3 lbs.
ZUV35:2.375	2.375"	3 lbs.
ZUV35:2.500	2.500"	2-3/4 lbs.
ZUV35:2.625	2.625"	2-3/8 lbs.
ZUV35:2.750	2.750"	2-1/8 lbs.
ZUV35:2.875	2.875"	1-7/8 lbs.
ZUV35:3.000	3.000"	1-1/2 lbs.
ZUV35:3.125	3.125"	1 lb.
ZUV35:3.250	3.250"	3/4 lb.

<b>ZV55-54 VISE BUSHINGS</b>		
ZUV55-35A (adaptor bushings)	N/A	8-1/8 lbs.
ZUV55:3.000	3.000"	8-3/4 lbs.
ZUV55:3.125	3.125"	8-1/2 lbs.
ZUV55:3.250	3.250"	8-1/8 lbs.
ZUV55:3.375	3.375"	7-3/4 lbs.
ZUV55:3.500	3.500"	7-3/8 lbs.
ZUV55:3.625	3.625"	7-1/8 lbs.
ZUV55:3.750	3.750"	6-3/4 lbs.
ZUV55:4.000	4.000"	6 lbs.
ZUV55:4.125	4.125"	5-5/8 lbs.
ZUV55:4.250	4.250"	5-1/8 lbs.
ZUV55:4.500	4.500"	4-1/4 lbs.
ZUV55:4.750	4.750"	3-1/4 lbs.
ZUV55:4.775	4.775"	2-3/4 lbs.
ZUV55:5.000	5.000"	2-1/4 lbs.
ZUV55:5.250	5.250"	1-1/4 lbs.

SPECIAL O.D. SIZES AVAILABLE UPON REQUEST. **SPECIAL SIZES ARE NON-RETURNABLE.**

# TITAN VALVE CAGE WRENCH



TITAN VALVE CAGE WRENCHES offer a safe and effective method of making up or breaking out valve cages.

CATALOG NO.	LENGTH	SIZE OF CAGE	WEIGHT
ZWV1	14"	1-1/16", 1-1/4", 1-1/2"	2-1/8 lbs.
ZWV2	17"	1-1/2", 1-3/4"	2-7/8 lbs.
ZWV3	23"	2", 2-1/4", 2-1/2", 2-3/4"	4-1/2 lbs.
ZWV4	29"	over 2-3/4"	8-3/8 lbs.

**WARNING! Protect yourself and others from SERIOUS INJURY! Never use a "cheater" or other means to extend handle! If wrench slips you can be hurt or injure other workers!**

# THREAD CUTTER



Gearenc handles the Ridgid line of special API hand threading die heads, replacement dies and Ridgid ratchet handles for cutting modified API line pipe threads on pump valve rods.

CATALOG NO.	ITEM DESCRIPTION	WEIGHT
ZD375	3/8" Die Head Complete w / Hi-Speed Steel Dies to cut Modified API Line Pipe Thread on 11/16" O.D. Rods	1-3/4 lbs.
ZD500	1/2" Die Head Complete w / Hi-Speed Steel Dies to cut Modified API Line Pipe Thread on 7/8" O.D. Rods	3 lbs.
ZD750	3/4" Die Head Complete w / Hi-Speed Steel Dies to cut Modified API Line Pipe Thread on 1-1/16" O.D. Rods	2-7/8 lbs.
ZD375-1*	3/8" Hi-Speed Steel Dies ONLY (Set of 4)	2-1/2 ozs.
ZD500-1*	1/2" Hi-Speed Steel Dies ONLY (Set of 4)	5 ozs.
ZD750-1*	3/4" Hi-Speed Steel Dies ONLY (Set of 4)	5 ozs.
ZD00-R	RIDGID Ratchet Handle Complete (22" long)	3-5/8 lbs.

\*Dies fit 00R **API** Die Head.

# PETOL SWAB TUBE



The PETOL SWAB TUBE is made of quality aluminum and is available in 5 foot lengths which can be joined together to achieve desired lengths. There is a choice of either a swab tube knob handle or a swab tube tee handle, both of which are aluminum and 3/8" NPT.

PETOL SWAB TUBE HEADS are made from bronze which reduces the hazard of sparking and helps prevent the pump barrel from being marred.

CATALOG NO.	ITEM DESCRIPTION	WEIGHT
ZZ71-1612	PETOL Swab Tube Head - Bronze - 1" x 12" Long	1-1/8 lbs.
ZZ71-2412	PETOL Swab Tube Head - Bronze - 1-1/2" x 12" Long	1-5/8 lbs.
ZZ71-3212	PETOL Swab Tube Head - Bronze - 2" x 12" Long	2 lbs.
ZZ71-4412	PETOL Swab Tube Head - Bronze - 2-3/4" x 12" Long	2 lbs.
ZZ71-6012	PETOL Swab Tube Head - Bronze - 3-3/4" x 12" Long	2-1/2 lbs.
ZZ73-K38NPT	PETOL Swab Tube Knob Handle - Aluminum - 3/8" NPT	8 ozs.
ZZ73-T38NPT	PETOL Swab Tube Tee Handle - Aluminum - 3/8" NPT	8 ozs.
ZZ70-1405	PETOL Swab Tube - Aluminum - 5 ft. Long	1-1/2 lbs.

## PETOL VEE SADDLE



PETOL VEE SADDLES are available for Pump Bench, Sliding Socket Plate, Extension Stand and Pump Support applications.

CATALOG NO.	ITEM DESCRIPTION	WEIGHT
ZSV2422-3AH-BR	PETOL Pump Support Adjustable Vee Saddle - Heavy Duty - Bronze	4-3/8 lbs.
ZSV60-3A-AL	PETOL Adjustable Vee Saddle - Aluminum	1 lb.
ZSV60-3A-BR	PETOL Adjustable Vee Saddle - Bronze	2 lbs.

## PETOL SLIDING SOCKET PLATE



ZNP6060-20RCL

PETOL SLIDING SOCKET PLATES are used with all PETOL Pump Shop Benches. They enable the worker to place PETOL Platerenches up and down the pump, adding stability and ease in making up or breaking out particular pump sections. The PETOL Sliding Socket Plate is available with either 1-1/4" or 1-1/2" sockets.

CATALOG NO.	SOCKET SIZE & PLACEMENT	WEIGHT
ZNP6060-20C	1-1/4" Holes – Center ONLY	6-1/4 lbs.
ZNP6060-20RCL	1-1/4" Holes – Right - Center - Left	9-1/8 lbs.
ZNP60602024RCL	1-1/4" & 1-1/2" Holes – Right - Center - Left	13-1/4 lbs.
ZNP6060-24RCL	1-1/2" Holes – Right - Center - Left	9-5/8 lbs.

## PUMP SUPPORT VISE



PUMP SUPPORT VISES are an open front vise with a special attachment so the vise can be affixed to the PETOL Pump Support.

CATALOG NO.	ITEM DESCRIPTION	WEIGHT
ZR2422-15-21	Pump Support Vise - #21 Ridgid - 1/8" – 2"	8 lbs.
ZR2422-15-22	Pump Support Vise - #22 Ridgid - 1/8" – 2-1/2"	12-1/8 lbs.
ZR2422-15-121	Pump Support Vise Plate ONLY for #21 Ridgid	3-1/2 lbs.
ZR2422-15-122	Pump Support Vise Plate ONLY for #22 Ridgid	3-3/4 lbs.

## PETOL WRENCH RACK



CATALOG NO.	ITEM DESCRIPTION	WEIGHT
ZNW100-20	PETOL Wrench Rack w / Screws - 1-1/4" Holes	3 lbs.
ZNW100-24	PETOL Wrench Rack w / Screws - 1-1/2" Holes	3 lbs.

## PETOL BENCH SADDLE CLAMP



The PETOL BENCH SADDLE CLAMP is designed to assure that the plunger will remain seated in the bench Vee Saddle while sections or valve cages are being made up or broken out.

CATALOG NO.	ITEM DESCRIPTION	WEIGHT
ZSC42S	PETOL Bench Saddle Clamp - Swivel Type	2-3/4 lbs.

## PETOL ALIGNING CLAMP



PETOL ALIGNING CLAMPS are designed so that plunger sections can be aligned to precise tolerances to make the job of fitting the plunger tube much quicker and easier.

CATALOG NO.	CAPACITY	WEIGHT
ZSA214	7/8" O.D. – 2-1/4" O.D.	2 lbs.
ZSA234	1" O.D. – 2-3/4" O.D.	3 lbs.
ZSA334	1-1/4" O.D. – 3-3/4" O.D.	5 lbs.

## PETOL BUSHING RACK



CATALOG NO.	ITEM DESCRIPTION	WEIGHT
ZNU35-18-3	PETOL Surgrip Friction Vise Bushing Rack	12 ozs.
ZNU55-18-4	PETOL Surgrip Friction Vise Bushing Rack	1-7/8 lbs.

## PETOL PUMP SUPPORT SUSAN



The PETOL PUMP SUPPORT SUSAN is mounted on the PETOL Pump Support as a tool holder.

CATALOG NO.	ITEM DESCRIPTION	WEIGHT
ZP2422-7	PETOL Pump Support Susan	1-1/4 lbs.

## PETOL OIL CAN HOLDER



CATALOG NO.	ITEM DESCRIPTION	WEIGHT
ZNO1218-90F	PETOL Oil Can Holder - w / Bolt & Nut	11 ozs.
ZNO1626-91	PETOL Lubricant Holder - w / Bolt & Nut	1-1/8 lbs.