

The TITAN FLANGE LIFTER provides a safe and easy method of installing and removing blind flanges. By eliminating the need to hire a welder to attach a lifting eye to the flange, the tool is both time and cost effective. Each flange lifter is load tested and magnetic particle inspected to ensure safety and quality.

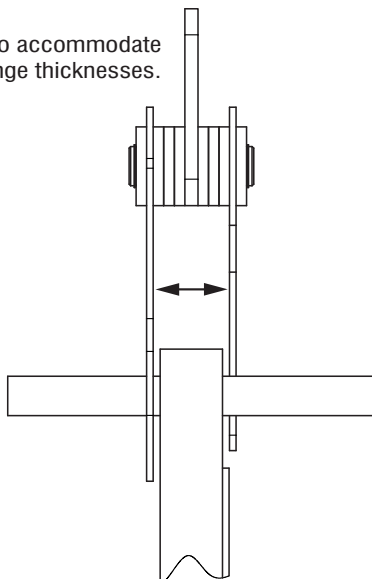
Product videos can be downloaded from www.gearench.com

CATALOG NO.	FITS BOLT SIZE	FITS FLANGE THICKNESS	WEIGHT	RATED LOAD
FLA112	3/4" - 1-1/2"	1/2" - 3-3/4"	21 lbs.	1000 lbs.
FLA212	1-1/2" - 2-1/2"	1/2" - 7"	37-1/4 lbs.	2000 lbs.

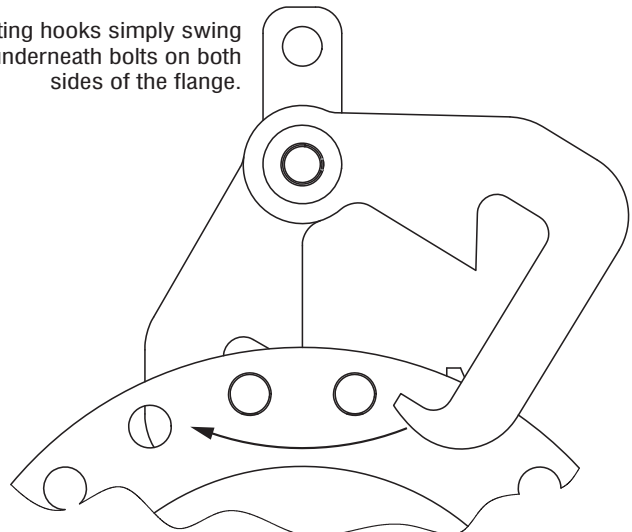
WARNING!

A falling load may cause SERIOUS INJURY or DEATH! Do Not Exceed Rated Load! Read Operating Instruction prior to operation. Before using, inspect the lifter daily to ensure it is in proper operating condition. Follow OSHA, NSC, etc. standards, safe practices, and procedures.

Adjustable to accommodate various flange thicknesses.



Lifting hooks simply swing underneath bolts on both sides of the flange.

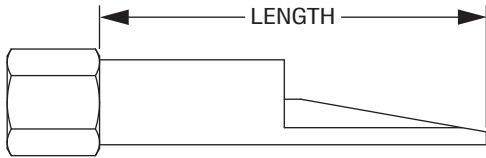


TITAN FLANGE ALIGNING TOOL *Patent #5,799,408*



TITAN FLANGE ALIGNING TOOLS are safe, fast, and effective. The tool's tapered shaft is a patented feature that eliminates the need for hammering and prying when lining up flange bolt holes.

TITAN Flange Aligning Tools are sold individually and in sets.



CATALOG NO.	BOLT HOLE SIZE	LENGTH	WEIGHT
FT00	3/8"	2-1/8"	1-1/4 ozs.
FT0	1/2"	2-3/8"	2-1/4 ozs.
FT01	5/8"	2-3/4"	4 ozs.
FT02	3/4"	3-1/4"	7 ozs.
FT03	7/8"	3-1/2"	11 ozs.
FT04	1"	4"	1 lb.
FT06	1-1/8"	5"	1-1/2 lbs.
FT08	1-1/4"	5-1/2"	2 lbs.
FT1012	1-3/8"	6-1/4"	2-7/8 lbs.
FT14	1-1/2"	6-1/2"	3-1/4 lbs.
FT16	1-5/8"	7-1/4"	4-1/8 lbs.
FT1820	1-3/4"	7-7/8"	4-3/4 lbs.
FT22	1-7/8"	8-3/8"	7 lbs.
FT2426	2"	9"	6-5/8 lbs.
FT30	2-1/8"	12"	10-3/8 lbs.

CATALOG NO.	BOLT HOLE SIZE	LENGTH	WEIGHT
FT34	2-3/8"	13-1/4"	13-1/8 lbs.
FT3642	2-5/8"	14"	16-7/8 lbs.
FT48	2-7/8"	13-5/8"	24-3/8 lbs.
FT5054	3-1/8"	18"	35-7/8 lbs.
FT60	3-5/8"	20"	54-7/8 lbs.

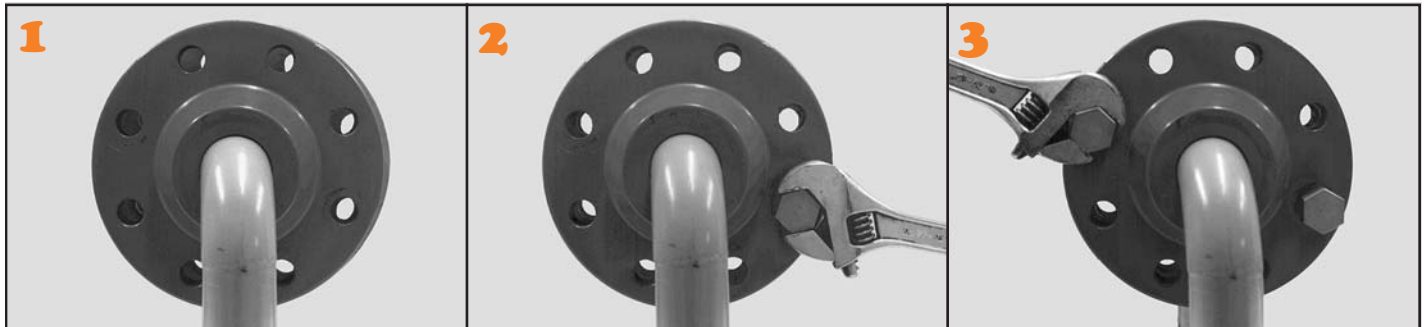
SETS

CATALOG NO.	SET INCLUDES	WEIGHT
FTS24	2 EACH: FT02, FT03, FT04	8 lbs.
FTS26	2 EACH: FT02, FT03, FT04, FT06	11 lbs.
FTS28	2 EACH: FT02, FT03, FT04, FT06, FT08	15 lbs.
FTS212 (<i>shown</i>)	2 EACH: FT02, FT03, FT04, FT06, FT08, FT1012	21 lbs.

To determine which TITAN Flange Aligning Tool to use to work a certain flange/series, see table beginning on page 37.

Simply find a bolt hole that is aligned enough for the tapered shaft to fit through and turn.

If necessary, use a second tool and turn until the bolt holes are in alignment and insert flange bolts.



A product video can be downloaded from www.gearench.com.

"EXTRA LONG" FLANGE ALIGNING TOOLS

CATALOG NO.	BOLT HOLE SIZE	LENGTH	WEIGHT
FT0L	1/2"	5-3/8"	10 ozs.
FT01L	5/8"	5-3/4"	12 ozs.
FT02L	3/4"	6-1/4"	14 ozs.
FT03L	7/8"	6-1/2"	1-1/8 lbs.
FT04L	1"	7"	1-1/2 lb.
FT06L	1-1/8"	8"	2-1/4 lbs.
FT08L	1-1/4"	8-1/2"	3 lbs.
FT1012L	1-3/8"	9-1/4"	4 lbs.
FT14L	1-1/2"	9-1/2"	4-1/2 lbs.
FT16L	1-5/8"	10-1/4"	5-3/4 lbs.
FT1820L	1-3/4"	10-7/8"	6-1/4 lbs.
FT2426L	2"	12"	7-1/2 lbs.

CATALOG NO.	BOLT HOLE SIZE	LENGTH	WEIGHT
FT30L	2-1/8"	15"	13 lbs.
FT34L	2-3/8"	16-1/4"	15 lbs.
FT3642L	2-5/8"	17"	18 lbs.

SETS

CATALOG NO.	SET INCLUDES	WEIGHT
FTS24L	2 EACH: FT02L, FT03L, FT04L	17 lbs.
FTS26L	2 EACH: FT02L, FT03L, FT04L, FT06L	21 lbs.
FTS28L	2 EACH: FT02L, FT03L, FT04L, FT06L, FT08L	26 lbs.
FTS212L	2 EACH: FT02L, FT03L, FT04L, FT06L, FT08L, FT1012L	34 lbs.

PETOL FLANGE WRENCH

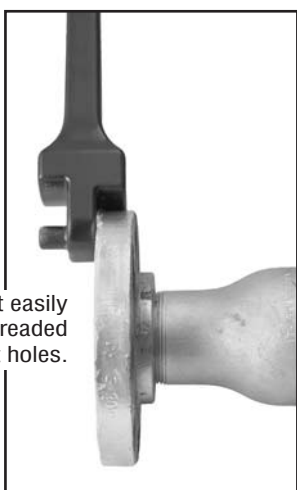


The PETOL FLANGE WRENCH was specifically designed for working on threaded flanges. Its unique features allow the operator to quickly and easily tighten and loosen 1" to 12" threaded flanges.



Unique design significantly reduces the risk of injuries associated with methods currently being used in the field.

CATALOG NO.	THREADED FLANGE SIZES	PIN DIAMETERS	LENGTH (END TO END)	WEIGHT
FW1	1" – 12"	1/2", 5/8"	18"	4-1/2 lbs.



Pins fit easily into the threaded flange bolt holes.



1/2" pin works 1" to 3" threaded flanges

5/8" pin works 4" to 12" threaded flanges



WARNING! Use as a hand tool only. Do Not Strike, use a "cheater" or extend handle. SERIOUS INJURY may result if used improperly.



POP-IT™ TOOLS *Patent #4,896,862*



PHD0535



P95-525

The POP-IT™ TOOL is the most versatile **flange spreading** and **prying** tool on the market. This unique product is rapidly gaining popularity in a wide range of industries including petrochemical, refining, pipeline, power generating, as well as emergency rescue.

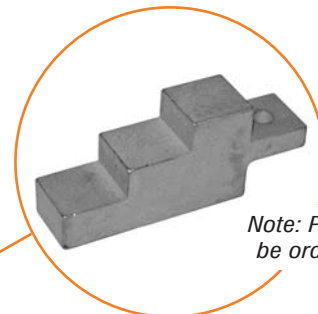
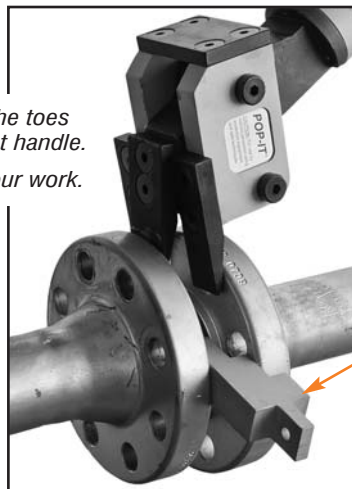
The POP-IT™ is lightweight, easy to use, durable, and delivers an incredible amount of force.

CATALOG NO.	MINIMUM SPREAD	MAXIMUM SPREAD	CAPACITY	WEIGHT
P95-525	1/16"	5-1/4"	10,000 lbs.	11 lbs.
PHD0535	1/2"	5-1/2"	30,000 lbs.	33 lbs.
	3"	8-1/2"	20,000 lbs.	33 lbs.

CHOCK FOR P95-525/PHD0535

CATALOG NO.	WEIGHT
PCH1	6 ozs.

Simply insert the toes & turn the ratchet handle. Always check your work.



Note: PCH1 chock must be ordered separately.

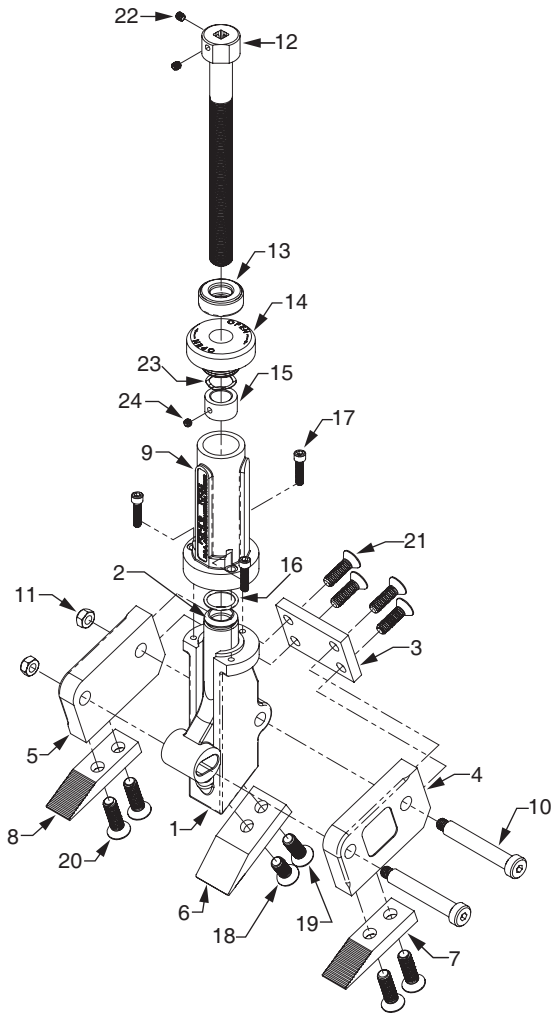


WARNING!

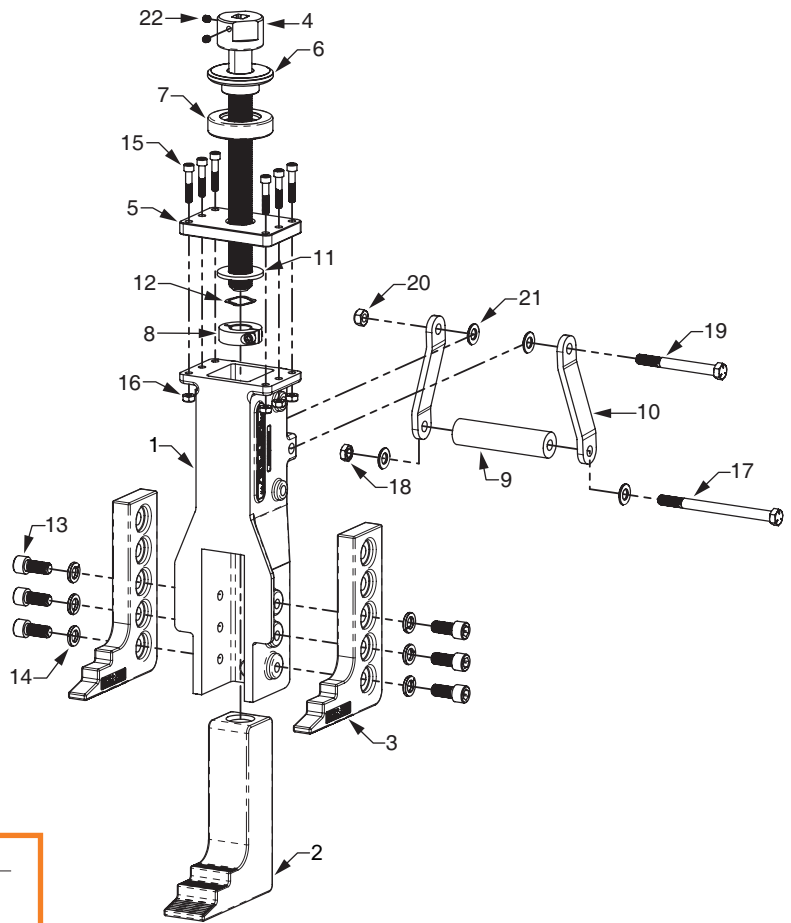
Improper use of POP-IT™ Tools may result in injury or death. Do Not Exceed Rated Load. Always Check Your Work. Never use "cheaters." Follow operating procedures.



P95-525 PARTS BREAKDOWN



PHD0535 PARTS BREAKDOWN



KEY NO.	ITEM DESCRIPTION	NO. REQ'D.
1	Body	1
2	Riser	1
3	Stiker Plate	1
4	Left Side Plate	1
5	Right Side Plate	1
6	Inside Toe	1
7	Left Outside Toe	1
8	Right Outside Toe	1
9	Handle	1
10	Shoulder Screw	2
11	Shoulder Screw Lock Nut	2
12	Drive Screw	1
13	Thrust Bearing	1
14	End Cap	1
15	Locking Sleeve	1
HARDWARE KIT*		
16	O-Ring	1
17	Handle Cap Screw	3
18	Inside Toe Cap Screw(1")	1
19	Inside Toe Cap Screw (1-1/4")	1
20	Outside Toe Cap Screw (Right & Left)	4
21	Striker Plate Cap Screw	4
22	Ratchet Set Screw	2
23	Wave Disc Spring	1
24	Locking Sleeve Set Screw	1
(not shown)	Ratchet	1

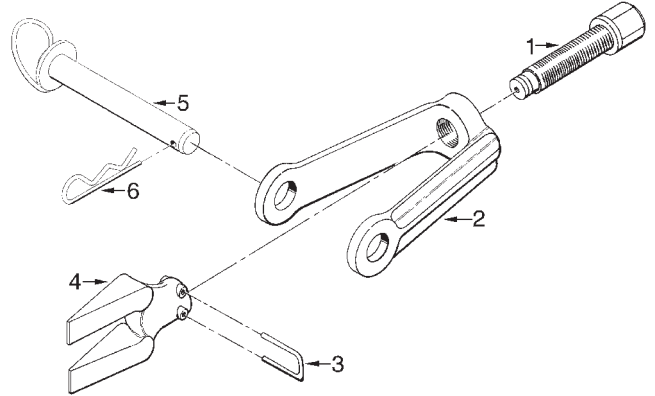
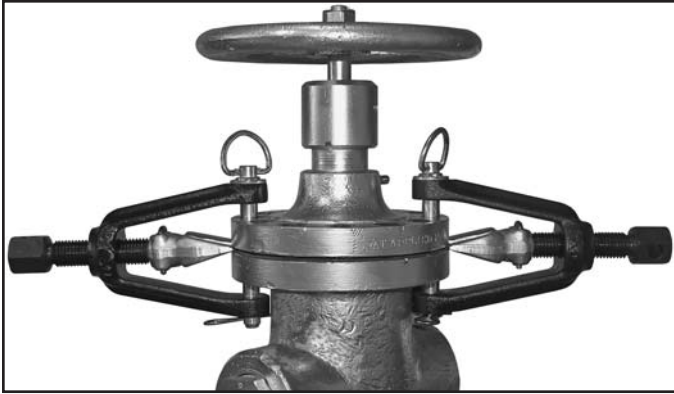
* COMPONENTS OF HARDWARE KIT ARE ALSO SOLD INDIVIDUALLY.

KEY NO.	ITEM DESCRIPTION	NO. REQ'D.
1	Body	1
2	Riser	1
3	Outside Toe	2
4	Drive Screw	1
5	Top Plate	1
6	Bearing Flange	1
7	Thrust Bearing	1
8	Shaft Collar	1
9	Handle Grip	1
10	Handle Side	2
HARDWARE KIT*		
11	Flat Washer	1
12	Wave Disc Spring	1
13	Outside Toe Cap Screw	6
14	Spring Lockwasher	6
15	Top Plate Cap Screw	6
16	Top Plate Cap Screw Lock Nut	6
17	Handle Grip Bolt	1
18	Handle Grip Bolt Nut	1
19	Handle Body Bolt	1
20	Handle Body Bolt Nut	1
21	Handle Washer	4
22	Ratchet Set Screw	2
(not shown)	Ratchet	1

* COMPONENTS OF HARDWARE KIT ARE ALSO SOLD INDIVIDUALLY.

TITAN FLANGE SPREADER

TITAN FLANGE SPREADERS have been carefully designed for safety in separating pipe and ring-type-joint flanges used in refineries, petrochemical, agrichemical and chemical plants, electrical and gas utility stations, pipe lines, oil fields, and various industrial facilities.



CATALOG NO.	INSIDE FRAME WIDTH	PIN DIAMETER*	WEIGHT
N14	2-3/4"	5/8"	8 lbs.
N48	3-3/4"	3/4"	9 lbs.
N812	4-7/8"	7/8"	10 lbs.
N1216	6-1/8"	1"	15 lbs.
N1620	7-1/2"	1-1/8"	18 lbs.
N2024	9-1/8"	1-1/4"	20 lbs.

*SMALLER PINS AVAILABLE UPON REQUEST.

KEY NO.	ITEM DESCRIPTION	NO. REQ'D.
1	SCREW	1
2	FRAME	1
3	U-CLIP	1
4	WEDGE	1
5	FLANGE PIN	1
6	HITCH PIN CLIP	1

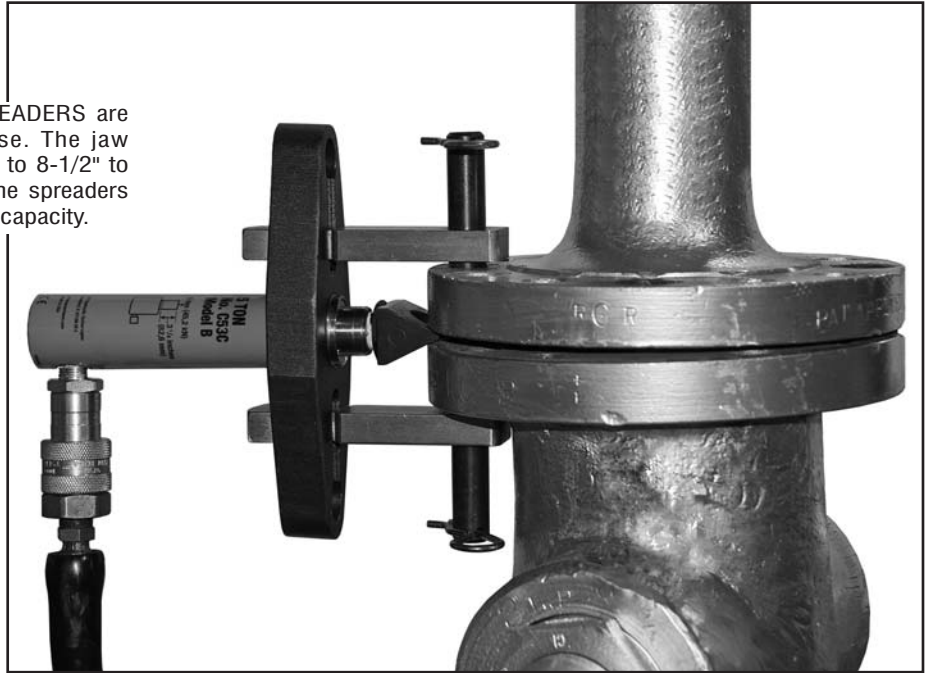
SIZES OF FLANGES IN EACH SERIES WHICH SPREADERS WILL FIT

	.50	.75	1	1.25	1.5	2	2.5	3	3.5	4	5	6	8	10	12	14	16	18	20	22	24	26	28	30	32	34	36	42		
ASA150	N14					X	X	X	X	X	X	X																		
	N48										X	X	X	X	X	X														
	N812												X	X	X	X	X	X	X	X	X	X	X							
	N1216															X	X	X	X	X	X	X	X	X	X	X	X	X	X	
	N1620																	X	X	X	X	X	X	X	X	X	X	X	X	
	N2024																			X	X	X	X	X	X	X	X	X	X	
ASA300	N14	X	X	X	X	X	X																							
	N48						X	X	X	X	X	X																		
	N812												X	X	X															
	N1216													X	X	X	X	X	X	X	X	X	X							
	N1620														X	X	X	X	X	X	X	X	X	X	X	X	X	X	X	
	N2024																X	X	X	X	X	X	X	X	X	X	X	X	X	
ASA400	N14	X	X	X																										
	N48				X	X	X																							
	N812					X			X	X	X	X	X																	
	N1216												X	X	X	X														
	N1620													X	X	X	X	X	X	X	X	X	X	X	X	X	X	X	X	X
	N2024														X	X	X	X	X	X	X	X	X	X	X	X	X	X	X	X
ASA600	N14	X	X	X																										
	N48				X	X	X																							
	N812					X			X	X	X	X																		
	N1216										X	X	X	X																
	N1620												X	X	X	X	X	X	X	X	X	X	X	X	X	X	X	X	X	X
	N2024													X	X	X	X	X	X	X	X	X	X	X	X	X	X	X	X	X
ASA900	N14	X	X	X	X																									
	N48	X	X	X	X	X	X			X																				
	N812		X	X	X	X	X																							
	N1216			X		X				X	X	X	X																	
	N1620									X	X	X	X	X	X															
	N2024										X	X	X	X	X	X														
ASA1500	N14	X	X	X	X																									
	N48	X	X	X	X	X	X																							
	N812		X	X	X	X	X																							
	N1216			X		X	X			X	X																			
	N1620									X	X																			
	N2024									X	X	X	X																	
ASA2500	N14	X	X																											
	N48	X	X																											
	N812		X	X	X	X	X																							
	N1216			X		X	X			X																				
	N1620									X	X																			
	N2024									X	X	X	X																	

X SPECIAL FLANGE PINS REQUIRED. CALL FACTORY FOR INFORMATION.

TITAN HYDRAULIC FLANGE SPREADER

TITAN HYDRAULIC FLANGE SPREADERS are fast, lightweight and easy to use. The jaw widths are adjustable from 2-3/4" to 8-1/2" to cover a wide range of flanges. The spreaders are available in 5 and 10 ton force capacity.



CATALOG NO.	STUD SIZE	SPREAD		CAPACITY	WEIGHT	MAXIMUM OPERATING PRESSURE
		MIN.	MAX.			
NH56	.75" – 1.13"	2.75"	6.10"	5 tons	10-1/2 lbs.	10,000 PSI
NH109	1.25" – 1.63"	4.10"	8.50"	10 tons	24-1/4 lbs.	10,000 PSI

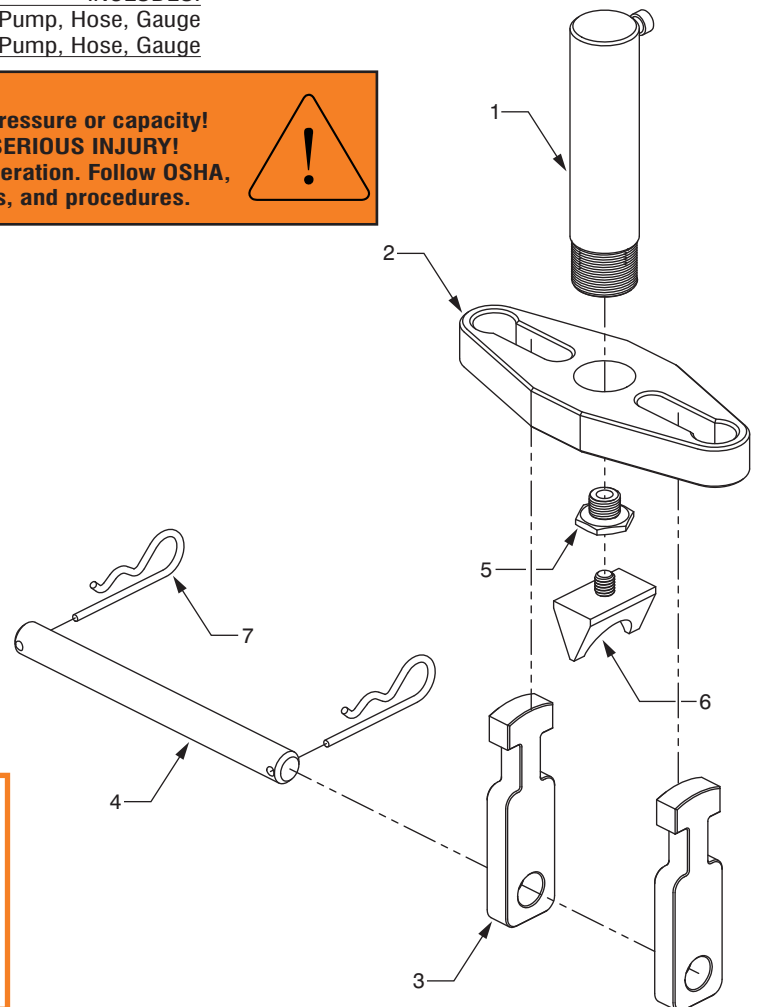
POWER OPTIONS

CATALOG NO.	INCLUDES:
UHCH-P16	Hand Pump, Hose, Gauge
UHCH-P19	Pneumatic Pump, Hose, Gauge

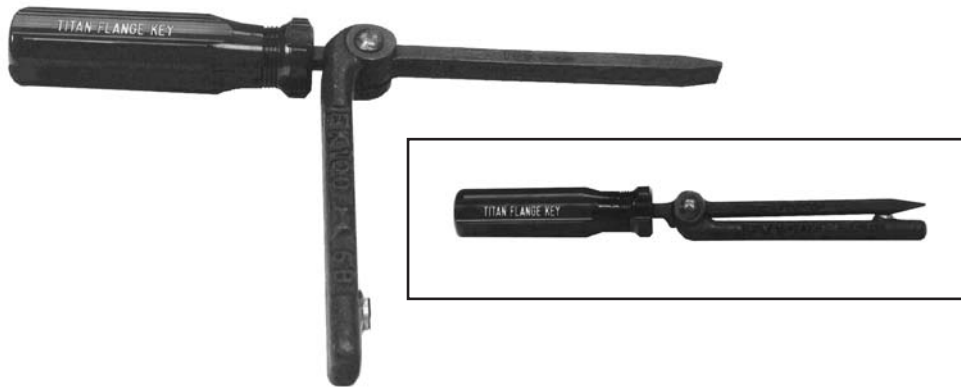
WARNING!
 Do not exceed maximum operating pressure or capacity!
 Protect yourself and others from **SERIOUS INJURY!**
 Read Operating Instructions prior to operation. Follow OSHA, NSC, etc., standards, safe practices, and procedures.

ASA RATING (PSI)	FITS FLANGE SIZES	
	NH56	NH109
150	5 - 20	22 - 42
300	2.50 - 14	16 - 28
400	2.50 - 12	14 - 24
600	2.50 - 10	12 - 20
900	.50 - 6	8 - 16
1500	.50 - 3.50	4 - 8
2500	.50 - 2.50	3 - 4

KEY NO.	ITEM DESCRIPTION	NO. REQ'D.
1	CYLINDER	1
2	CROSSBAR	1
3	SIDE PLATE	2
4	FLANGE PIN	1
5	ADAPTOR	1
6	WEDGE	1
7	HITCH PIN CLIP	2



TITAN FLANGE KEY



Use the TITAN FLANGE KEY to separate flanges instead of risking an injury because of the improper use of hand tools.

The TITAN Flange Key has a blade made of heat-treated 5160 steel with the point sharpened to 3/32 of an inch. This, coupled with a hard plastic handle, allows the point of the blade to be easily driven between two flanges.

The handle lever will not exceed 90° when opened, and a magnet holds it in place when closed to prevent the tool from opening while in a pocket or tool box.

CATALOG NO.	LENGTH	WEIGHT
FK100	11"	1-1/4 lbs.

