

PETOL CHAIN TONGS

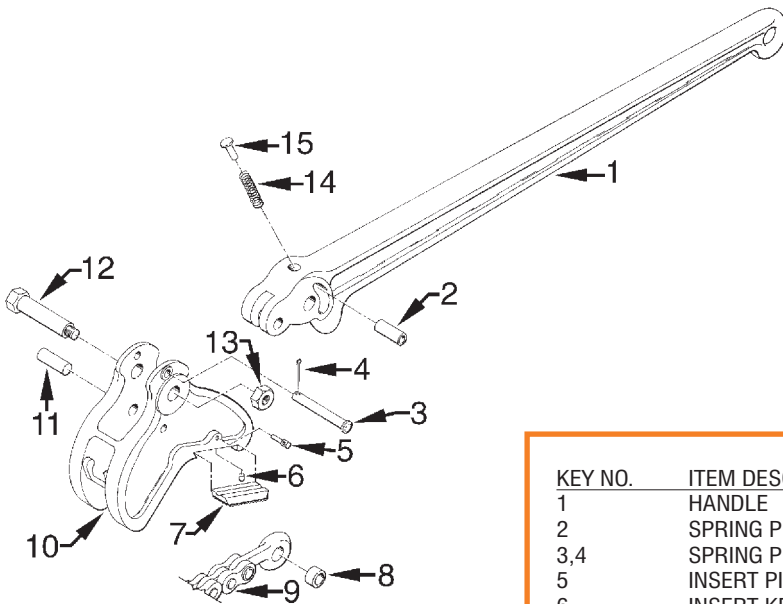


PETOL CHAIN TONGS were designed to eliminate the crushing effect on pipe and tool joints that is sometimes associated with conventional style chain tongs and pipe wrenches. The tongs rest on the pipe and release instantly to make the job easier on the operator.

CATALOG NO.	O.D.	GRIPPING WIDTH	HANDLE LENGTH	WEIGHT	CHAIN TENSILE STRENGTH
CPA13	1-1/2" – 6"	2.62"	30"	18 lbs.	17,600 lbs.
CPA14	2" – 10"	3.13"	44"	35 lbs.	22,000 lbs.

WARNING! Use as a hand tool only. Do Not Strike, use a "cheater" or extend handle. SERIOUS INJURY may result if used improperly.

NOTE: SAFE PRACTICES & PROCEDURES MANUAL CAN BE FOUND ON PAGES 1-7 OF THIS CATALOG.



KEY NO.	ITEM DESCRIPTION	NO. REQ'D.
1	HANDLE	1
2	SPRING PIN BUSHING	1
3,4	SPRING PIN W / COTTER	1
5	INSERT PIN	4
6	INSERT KEY	4
7	INSERT	2
8	MASTER LINK BUSHING	1
9	SPECIAL CHAIN W / MASTER LINK	1
10	JAW	1
11	MASTER LINK HANDLE PIN	1
12,13	JAW BOLT & NUT	1
14	SPRING	1
15	SPRING GUIDE	1

TITAN CHAIN TONGS



TITAN CHAIN TONGS' exceptional quality ensures they will give better service in the field. The jaws are drop-forged from high-quality steel and properly hardened and tempered to stand the severe service expected of them. All sizes are equipped with

heat-treated PETOL Special Chains. Replacement parts are interchangeable with other standard brands of "single jaw" chain tongs and are packaged and labeled for the customer's convenience in getting correct and genuine PETOL & TITAN parts.

CATALOG NO.	PIPE SIZE	GRIPPING WIDTH	TONG LENGTH	WEIGHT	CHAIN TENSILE STRENGTH
C11-P	1/8" – 1-1/2"	1.75"	20"	6 lbs.	9,400 lbs.
C12-P	1/4" – 2-1/2"	2.25"	27"	10 lbs.	13,800 lbs.
C13-P	3/4" – 4"	2.63"	37"	17 lbs.	17,600 lbs.
C135-P	1" – 6"	2.88"	45"	25 lbs.	20,100 lbs.
C14-P	1-1/2" – 8"	3.06"	51"	31 lbs.	22,000 lbs.
C15-P	2" – 12"	3.25"	65"	54 lbs.	31,000 lbs.
C16-P	4" – 18"	4.63"	87"	139 lbs.	56,000 lbs.

NOTE: STANDARD LENGTH REPLACEMENT CHAINS CAN BE FOUND IN THE CHAIN SELECTION GUIDE ON PAGE 75.

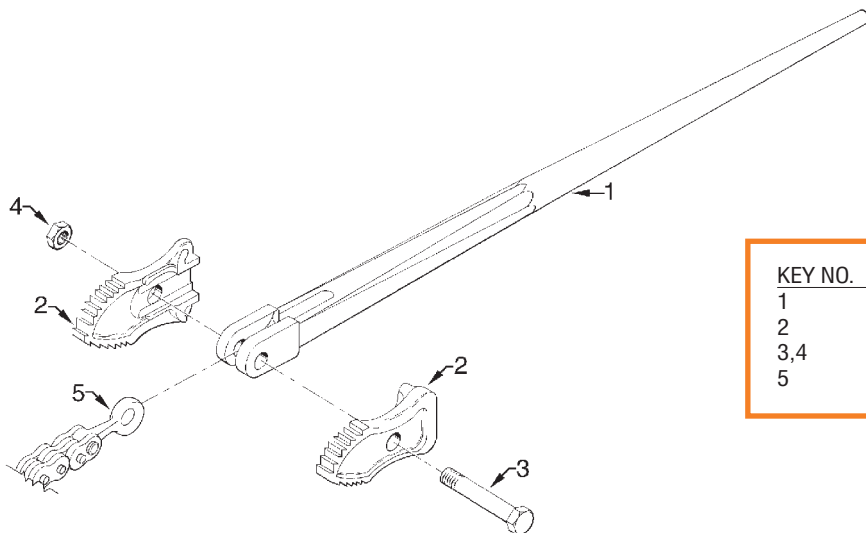
TITAN CHAIN TONGS WITH EXTRA LONG CHAIN

CATALOG NO.	O.D.	WEIGHT	CATALOG NO.	O.D.	WEIGHT	CATALOG NO.	O.D.	WEIGHT
C11-28-P	3/8" – 4-1/2"	6-1/4 lbs.	C12-66-P	1/2" – 14"	13 lbs.	C135-76-P	1-3/8" – 22"	31-7/8 lbs.
C11-36-P	3/8" – 6-1/4"	6-3/4 lbs.	C12-78-P	1/2" – 17-1/2"	14-1/4 lbs.	C135-90-P	1-3/8" – 27"	34-1/8 lbs.
C11-46-P	3/8" – 8-1/2"	7-1/4 lbs.	C12-100-P	1/2" – 24"	15-1/2 lbs.	C135-106-P	1-3/8" – 32-1/2"	38-1/2 lbs.
C11-54-P	3/8" – 10-3/4"	7-1/2 lbs.	C13-36-P	1" – 7-1/4"	18-3/4 lbs.	C135-150-P	1-3/8" – 46-1/4"	45 lbs.
C11-64-P	3/8" – 12-3/4"	8 lbs.	C13-48-P	1" – 11"	20-1/4 lbs.	C14-54-P	1-15/16" – 15-1/2"	34 lbs.
C11-72-P	3/8" – 15"	8-3/4 lbs.	C13-60-P	1" – 15"	22 lbs.	C14-72-P	1-15/16" – 21-1/4"	36-3/4 lbs.
C11-86-P	3/8" – 18-1/4"	9-1/4 lbs.	C13-72-P	1" – 18"	23-1/2 lbs.	C15-52-P	2-3/8" – 18-3/4"	55-1/2 lbs.
C11-108-P	3/8" – 23-1/2"	10 lbs.	C13-84-P	1" – 22"	25-1/4 lbs.	C15-64-P	2-3/8" – 23-5/8"	59 lbs.
C12-34-P	1/2" – 7-1/4"	10-7/8 lbs.	C13-92-P	1" – 24-1/2"	26 lbs.	C15-84-P	2-3/8" – 31-3/4"	66-1/2 lbs.
C12-44-P	1/2" – 9"	11-1/2 lbs.	C135-46-P	1-3/8" – 11-3/4"	27-3/8 lbs.	C16-84-P	4-1/2" – 42-3/4"	174 lbs.
C12-56-P	1/2" – 11-3/4"	12-1/4 lbs.	C135-60-P	1-3/8" – 15"	29-5/8 lbs.			

NOTE: EXTRA LONG REPLACEMENT CHAINS CAN BE FOUND IN THE CHAIN SELECTION GUIDE ON PAGE 75.

WARNING! Use as a hand tool only. Do Not Strike, use a "cheater" or extend handle. SERIOUS INJURY may result if used improperly.

NOTE: SAFE PRACTICES & PROCEDURES MANUAL CAN BE FOUND ON PAGES 1-7 OF THIS CATALOG.



KEY NO.	ITEM DESCRIPTION	NO. REQ'D.
1	HANDLE	1
2	JAWS (PAIR)	1 (PR.)
3,4	JAW BOLT & NUT	1
5	SPECIAL CHAIN W / MASTER LINK	1

TITAN REVERSIBLE CHAIN TONGS



TITAN REVERSIBLE CHAIN TONGS allow the operator to turn the pipe in either direction without removing the tong or unhooking the chain. The handles are drop-forged steel and have a heavy-duty I-beam design. Jaws are forged from special high-quality steel and heat-treated to stand rugged service. All sizes are equipped

with heat-treated PETOL Special Chains. Replacement parts are interchangeable with other standard brands of reversible chain tongs and are packaged and labeled for the customer's convenience in getting correct and genuine PETOL & TITAN parts.

CATALOG NO.	PIPE SIZE	GRIPPING WIDTH	TONG LENGTH	WEIGHT	CHAIN TENSILE STRENGTH
C27-P	1/4" – 2-1/2"	2.19"	27"	11 lbs.	13,800 lbs.
C37-P	3/4" – 4"	2.69"	37"	19 lbs.	17,600 lbs.
C47-P	1" – 6"	3.00"	47"	27 lbs.	20,100 lbs.
C57-P	1-1/2" – 8"	3.38"	57"	40 lbs.	22,000 lbs.
C67-P	2" – 12"	3.69"	67"	59 lbs.	31,000 lbs.

NOTE: STANDARD LENGTH REPLACEMENT CHAINS CAN BE FOUND IN THE CHAIN SELECTION GUIDE ON PAGE 75.

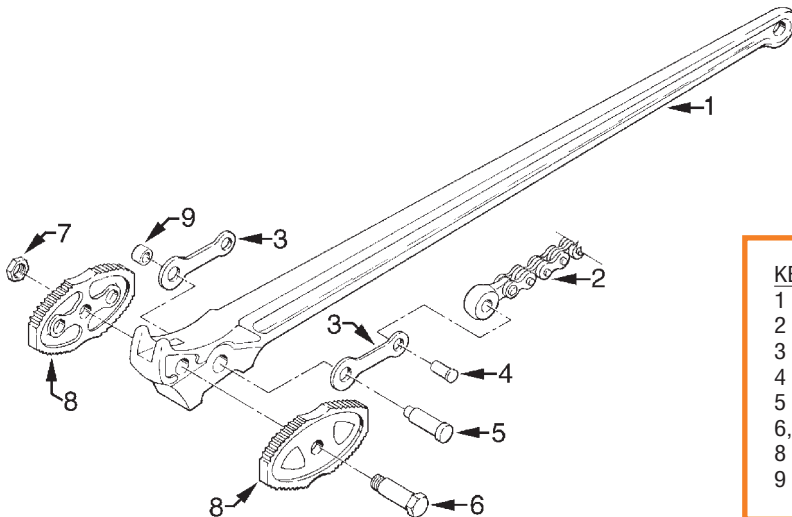
TITAN REVERSIBLE CHAIN TONGS WITH EXTRA LONG CHAIN

CATALOG NO.	O.D.	WEIGHT	CATALOG NO.	O.D.	WEIGHT
C27-34-P	1/2" – 7-1/4"	11-1/4 lbs.	C47-46-P	1-3/8" – 11-3/4"	27-3/4 lbs.
C27-44-P	1/2" – 9"	12-1/4 lbs.	C47-60-P	1-3/8" – 15"	31-1/2 lbs.
C27-56-P	1/2" – 11-3/4"	13-1/4 lbs.	C47-76-P	1-3/8" – 22"	35-1/4 lbs.
C27-66-P	1/2" – 14"	14-1/4 lbs.	C47-90-P	1-3/8" – 27"	38 lbs.
C27-78-P	1/2" – 17-1/2"	15-3/8 lbs.	C47-106-P	1-3/8" – 32-1/2"	40-3/4 lbs.
C27-100-P	1/2" – 24"	17-3/8 lbs.	C57-54-P	1-15/16" – 15-1/2"	42-3/4 lbs.
C37-36-P	1" – 7-1/4"	19-3/4 lbs.	C57-72-P	1-15/16" – 21-1/4"	47-1/2 lbs.
C37-48-P	1" – 11"	22-1/4 lbs.	C67-54-P	2-3/8" – 19-1/2"	60 lbs.
C37-60-P	1" – 15"	23-1/4 lbs.	C67-84-P	2-3/8" – 31-3/4"	72 lbs.
C37-72-P	1" – 18"	25 lbs.			
C37-84-P	1" – 22"	26-3/4 lbs.			

NOTE: TONGS EQUIPPED WITH EXTRA LONG CHAINS ARE NOT REVERSIBLE. EXTRA LONG REPLACEMENT CHAINS CAN BE FOUND IN THE CHAIN SELECTION GUIDE ON PAGE 75.

WARNING! Use as a hand tool only. Do Not Strike, use a "cheater" or extend handle. SERIOUS INJURY may result if used improperly.

NOTE: SAFE PRACTICES & PROCEDURES MANUAL CAN BE FOUND ON PAGES 1-7 OF THIS CATALOG.



KEY NO.	ITEM DESCRIPTION	NO. REQ'D.
1	HANDLE	1
2	SPECIAL CHAIN W / MASTER LINK	1
3	STIRRUP LINK	2
4	MASTER LINK STIRRUP PIN	1
5	STIRRUP LINK HANDLE PIN	1
6,7	JAW BOLT & NUT	1
8	JAWS (PAIR)	1 (PR.)
9	STIRRUP LINK BUSHING	1